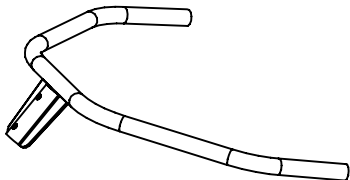
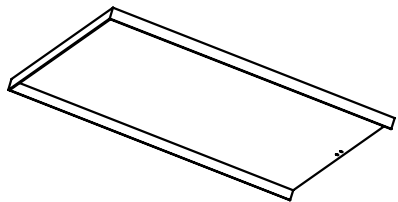
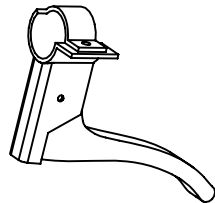
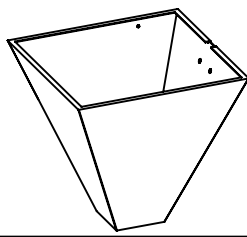
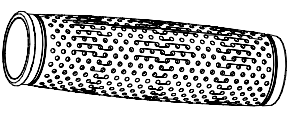
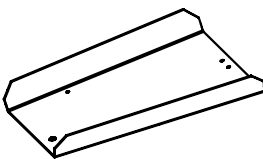
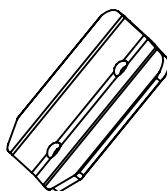
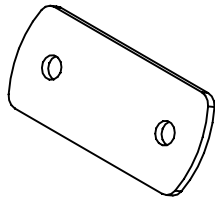
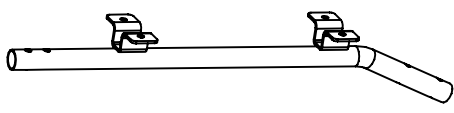
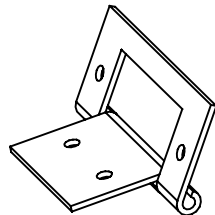
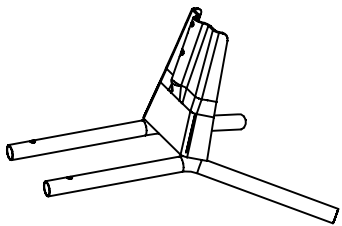
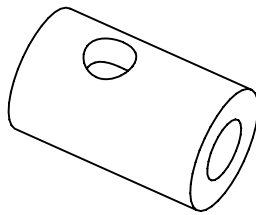
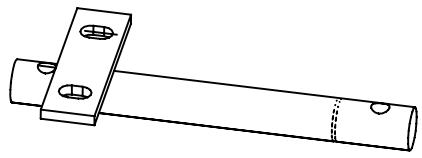
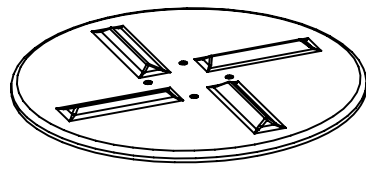
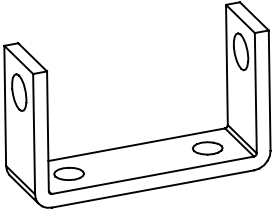
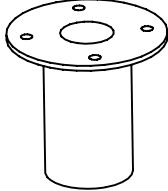
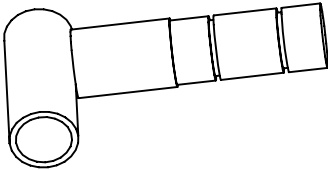
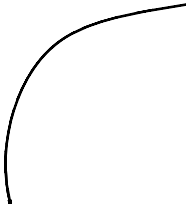
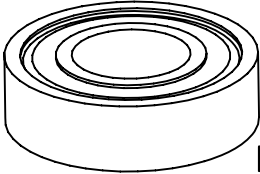
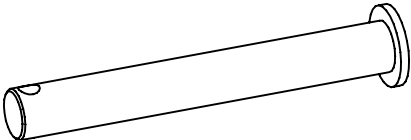
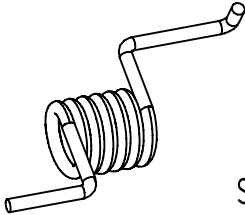
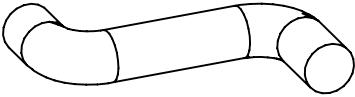
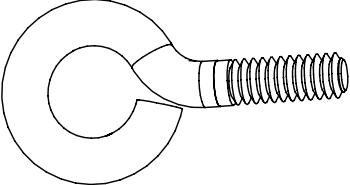
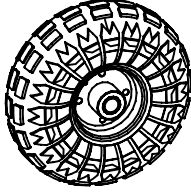
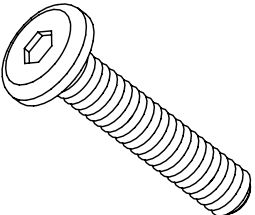
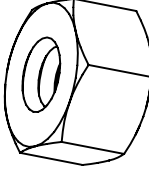
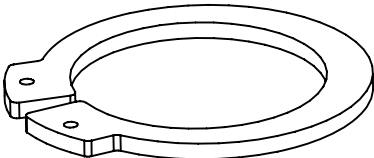
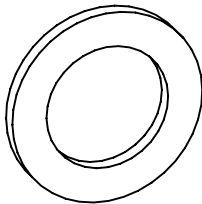
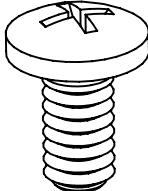

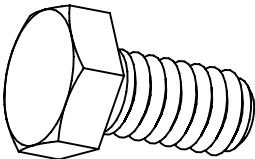
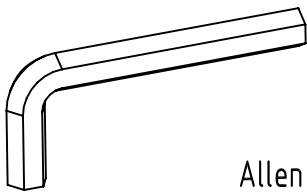


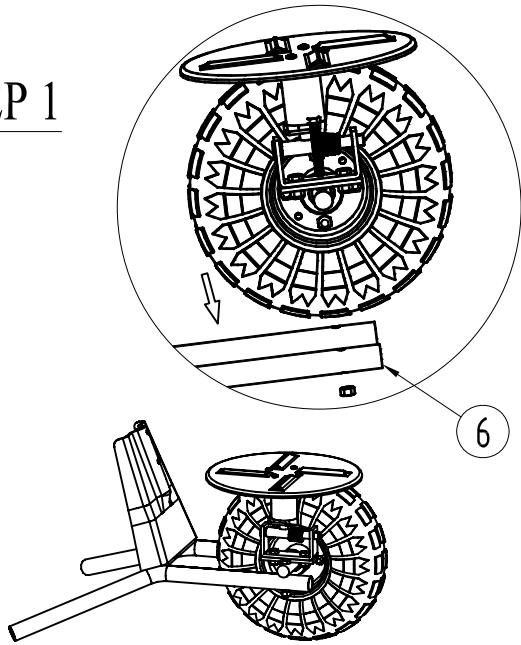
Assembly Instructions

Name: SPREADER 57145

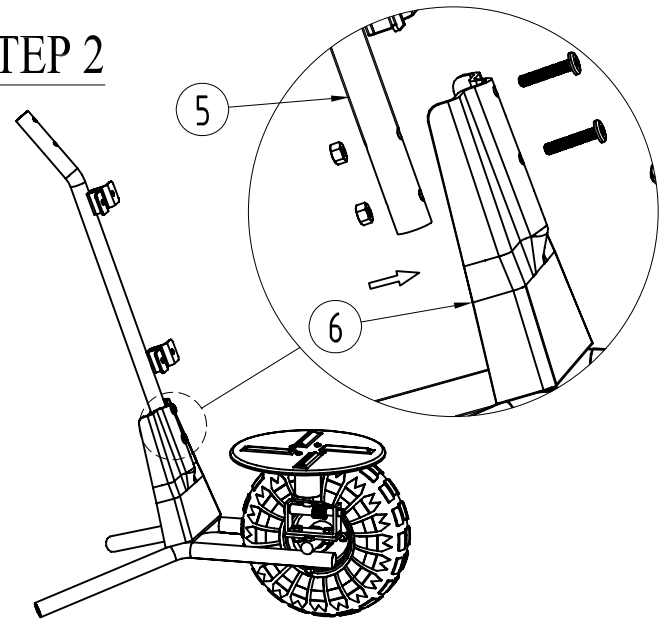
Part list					
No	Name	Q'ty	No	Name	Q'ty
1		1	8		1
2		1	9		1
3	 Handle	2	10		1
4		1	11		2
5		1	12	 Hinge	2
6		1	13	 Tube rubber $\phi 20 \times 5$	1
7		1	14		1

15		1	24		1
16		1	25	 Tightrope	1
17	 Bearing 6002z	2	26		1
18	 Spring	1	27		1
19		1	28	 Wheel $\phi 260$	1
20	 Bolt M8x40-2pcs Bolt M8x50-2pcs	4	29	 Nut M8 - 12pcs Nut M5 - 6pcs Nut M6 - 3pcs	19
21		3	30	 Washer M8-10pcs Washer M5-4pcs Washer M6-1pcs	15
22	 Bolt M5x10	4	31	 Wrench 13-2pcs Wrench 10-1pcs	3
23	 Bolt M8x60-2pcs Bolt M8x25-6pcs Bolt M6x50-1pcs	9	32	 Allen key: 4mm	1

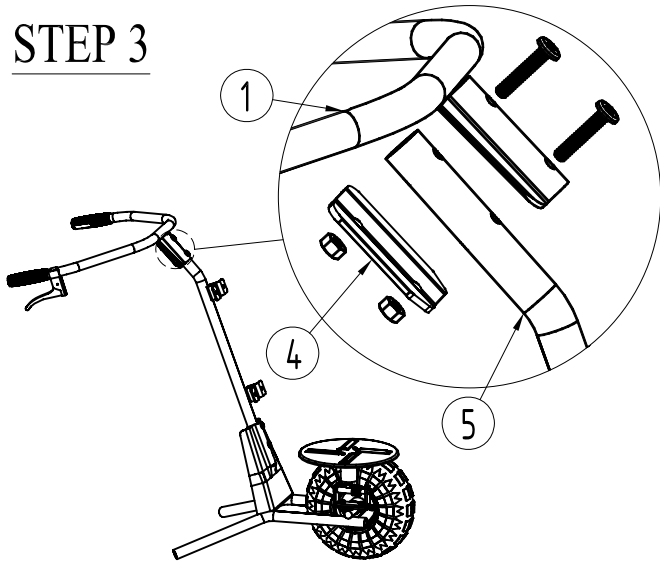
STEP 1



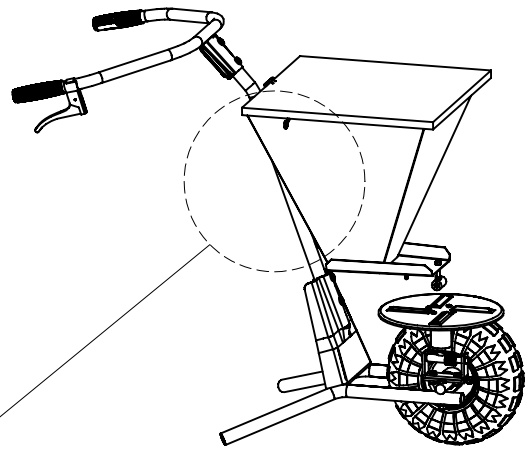
STEP 2



STEP 3



STEP 4



STEP 5

