



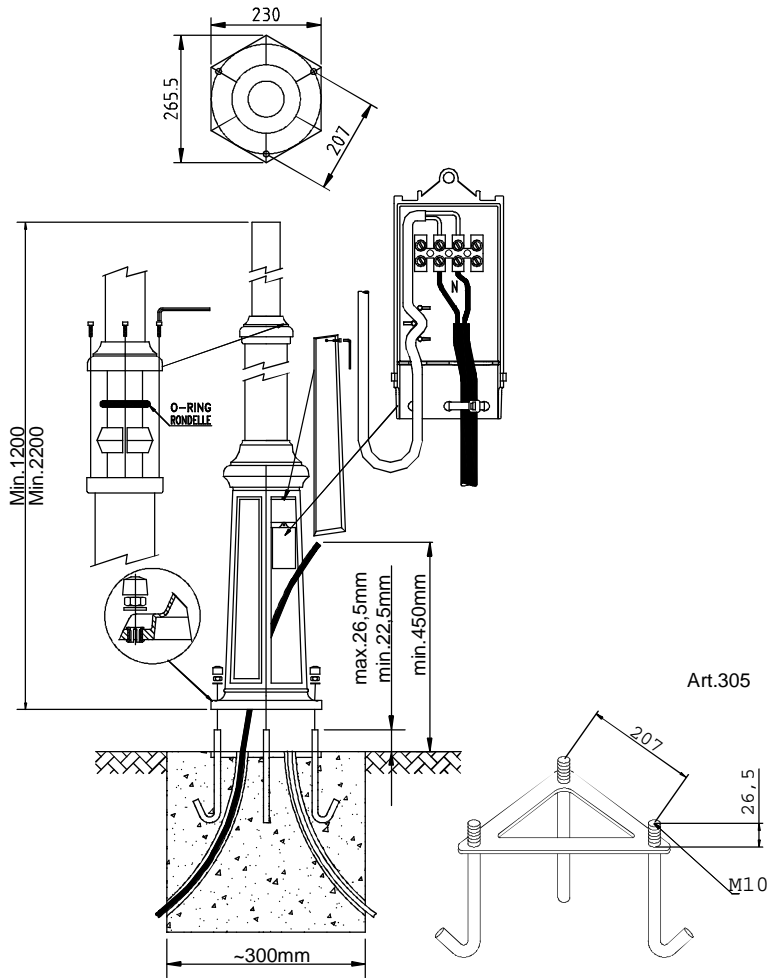
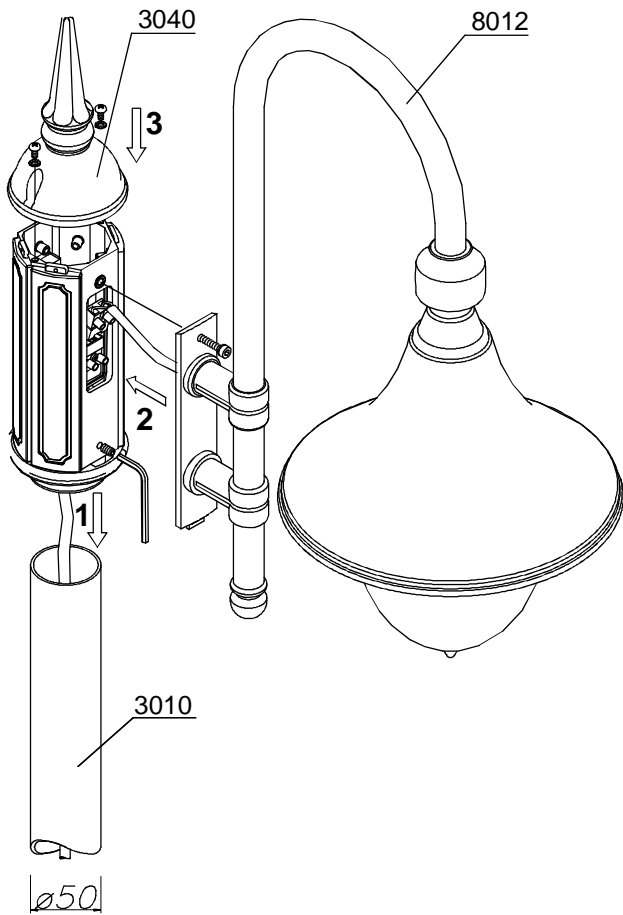
~230V 50Hz CLASS II  IP54

Art.810,820,830,840

E27, QA55, 57W

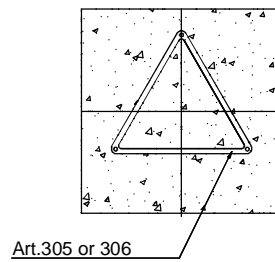
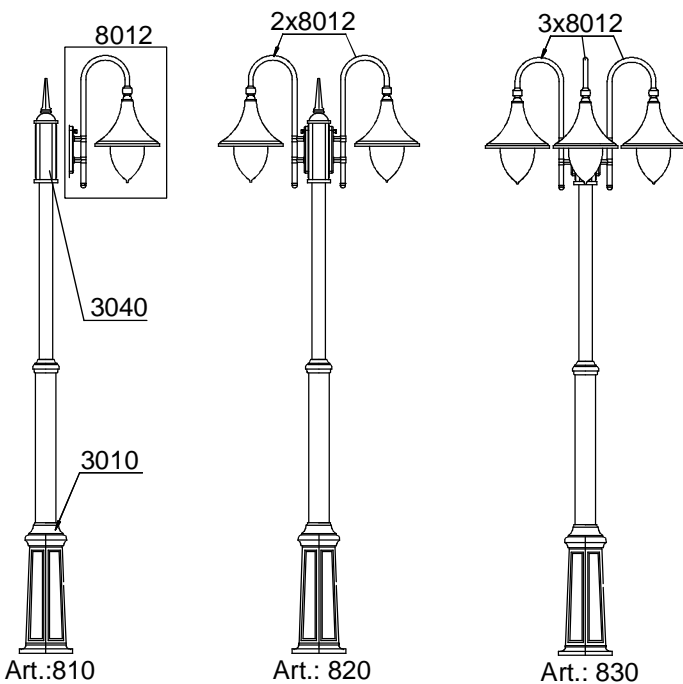
 A-50-55

~~~~ A-40-45

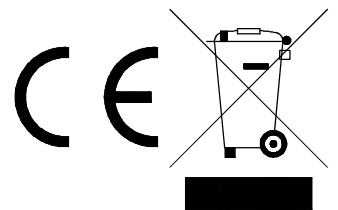
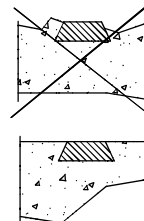


Art.305

Art.306



Art.305 or 306



INSTR. N°810,820,830
XI/2014

