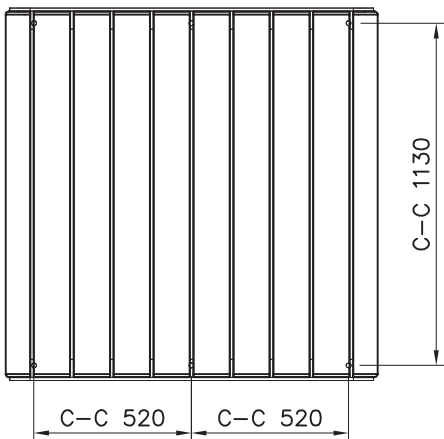
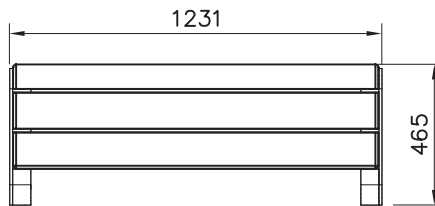
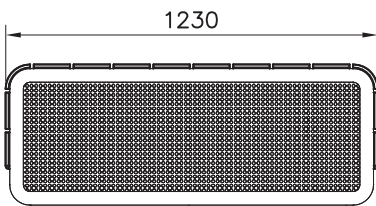
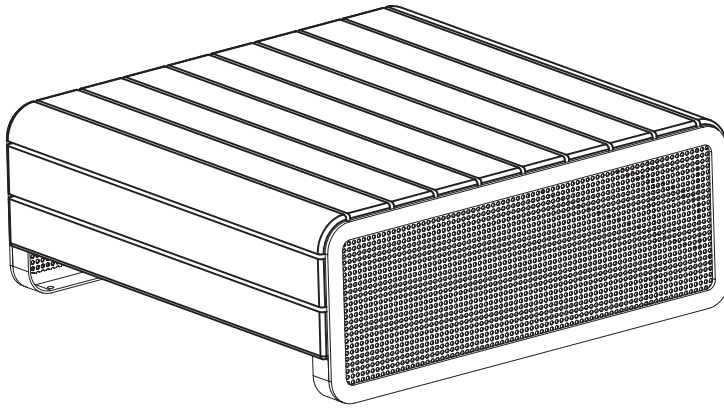
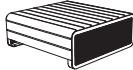


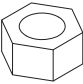



# NF3200-04

DATE: 15.5.2018

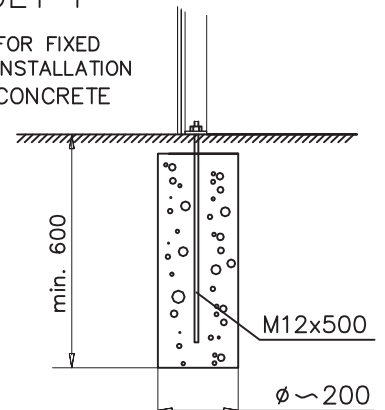
1(2)



① NF3200	PCS	② N00129	PCS
	1		4
③ N39016	PCS	④ N21200	PCS
	4		12
⑤ N31228	PCS		PCS
	4		

## DET 1

FOR FIXED  
INSTALLATION  
CONCRETE



## DET 2

FOR FIXED  
INSTALLATION  
DIG DOWN

