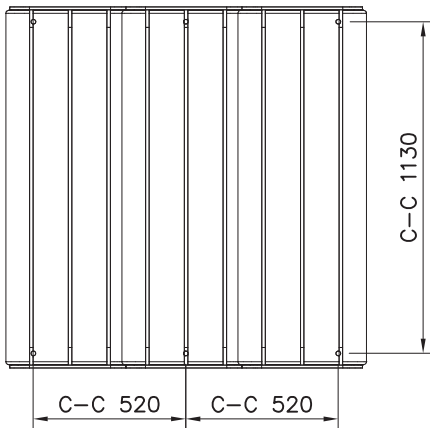
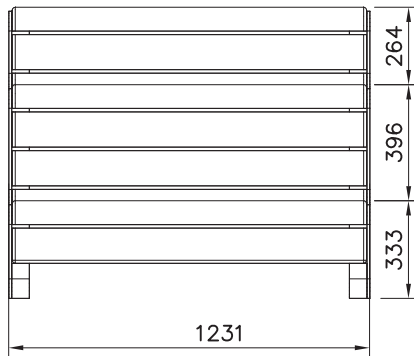
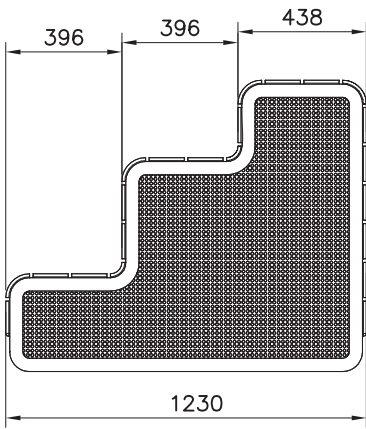
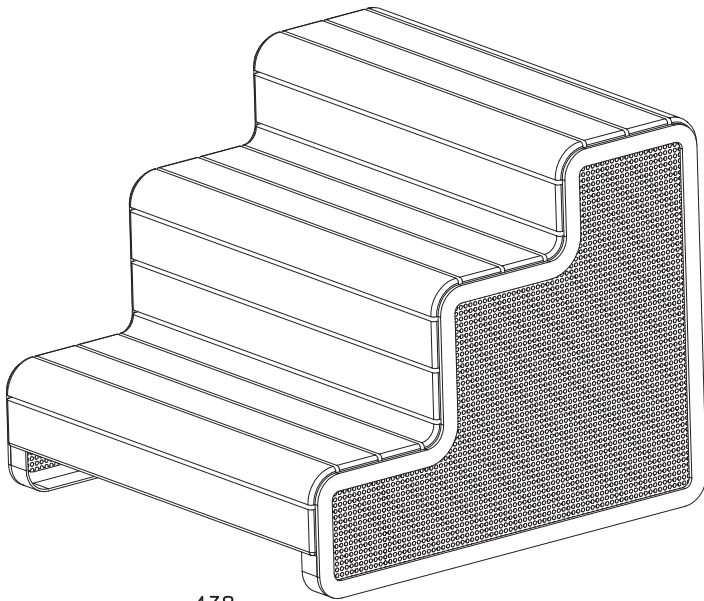
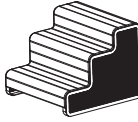


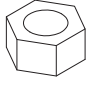



NF3220-24

DATE: 15.5.2018

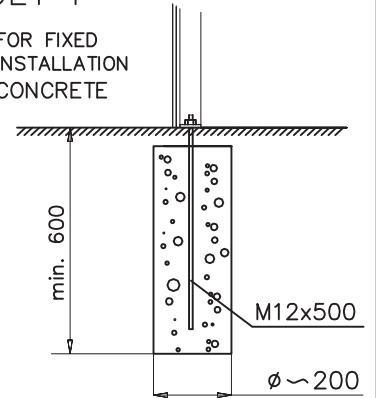
1(2)



① NF3200	PCS	② N00129	PCS
	1		4
③ N39016	PCS	④ N21200	PCS
	4		12
④ N31228	PCS		PCS
	4		

DET 1

FOR FIXED
INSTALLATION
CONCRETE



DET 2

FOR FIXED
INSTALLATION
DIG DOWN

