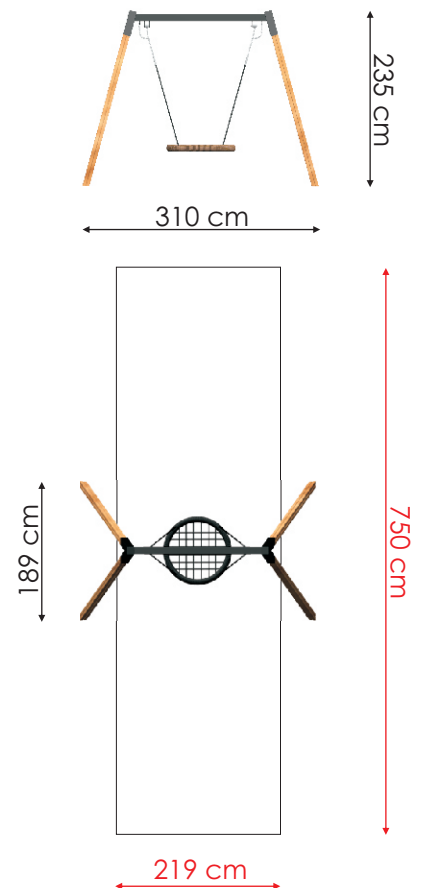


1 11103 BNS90

PIONEER

Product name: Swing (bird nest 90cm)
Catalogue number: 11103 BNS90
Dimensions: 310x189 cm
Total height: 235 cm
Safety zone: 219x750 cm
Critical Falling Height: 140 cm
Requires falling surface: YES
Spare parts available: YES
Acc. to EN 1176: YES
Age level: 3+ years



PRODUCT DATA

Product name: Swing (bird nest 90cm)
 Catalogue No.: 11103 BNS90
 Product type: PIONEER

Critical Falling Height: 140 cm
 Dimensions: 310x189 cm
 Safety Zone: 219x750 cm
 Age Level: 3+ years

COMPANY DATA

Name: _____
 Address: _____
 Zip code/city: _____
 Place: _____
 Phone: _____
 Fax: _____
 Email: _____

Product Photo/Picture



OWNERS DATA

Name: _____
 Contact: _____
 Address: _____
 Zip code/city: _____
 Place: _____
 Phone: _____
 Fax: _____
 Email: _____

AREA DATA

Placing: _____
 Address: _____
 Zip code/city: _____
 Place: _____
 Playground name: _____
 Product number: _____

ADMINISTRATOR DATA

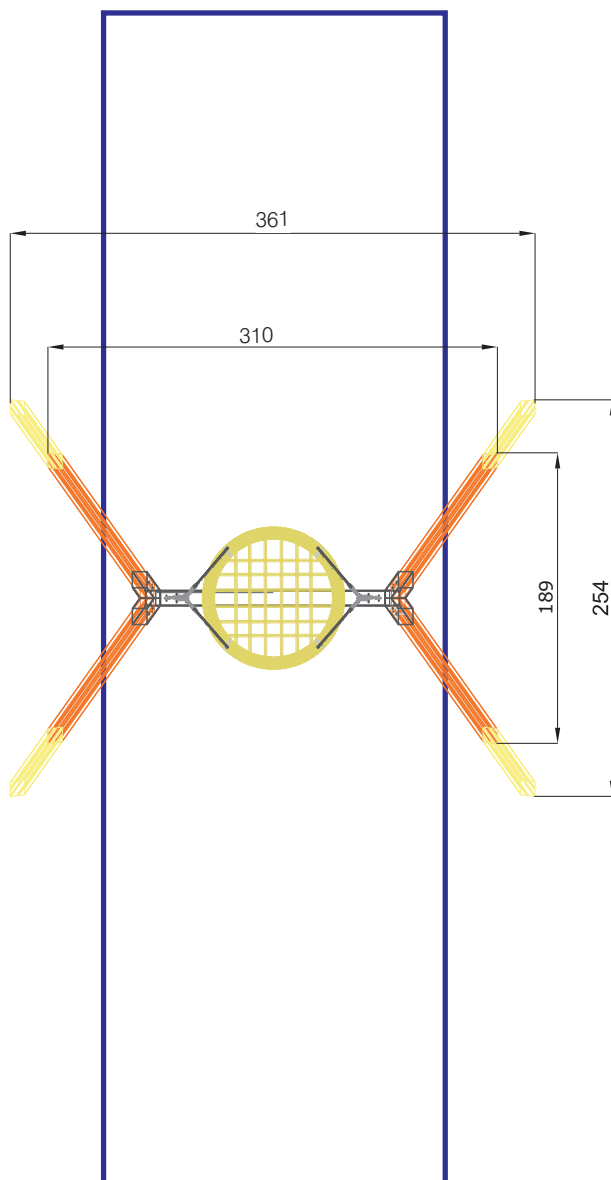
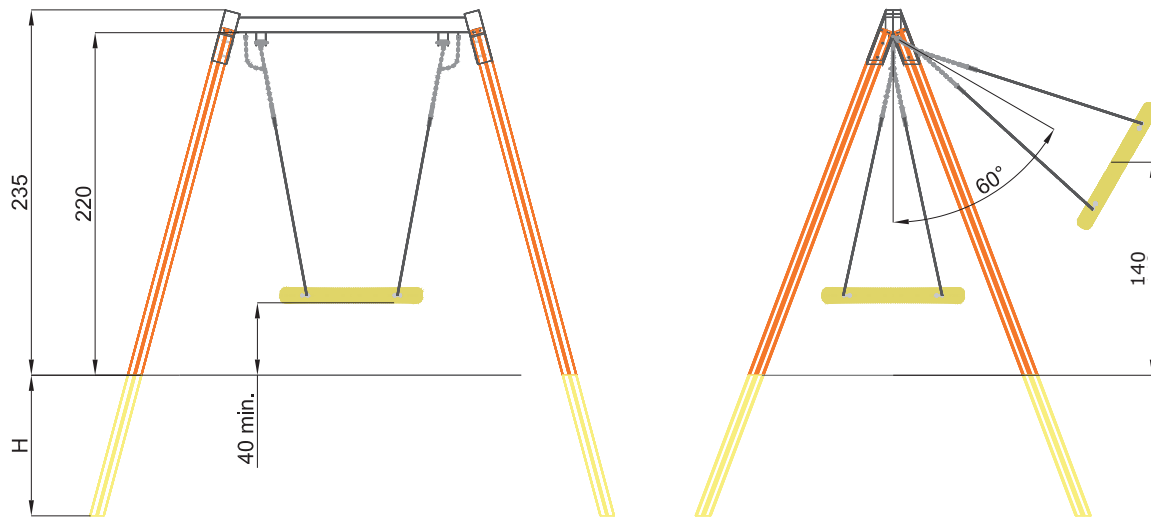
Name: _____
 Contact: _____
 Address: _____
 Zip code/city: _____
 Phone: _____
 Fax: _____
 Email: _____

SURFACE

Material: _____
 Dimensions: _____
 Underground: _____
 Supplier: _____

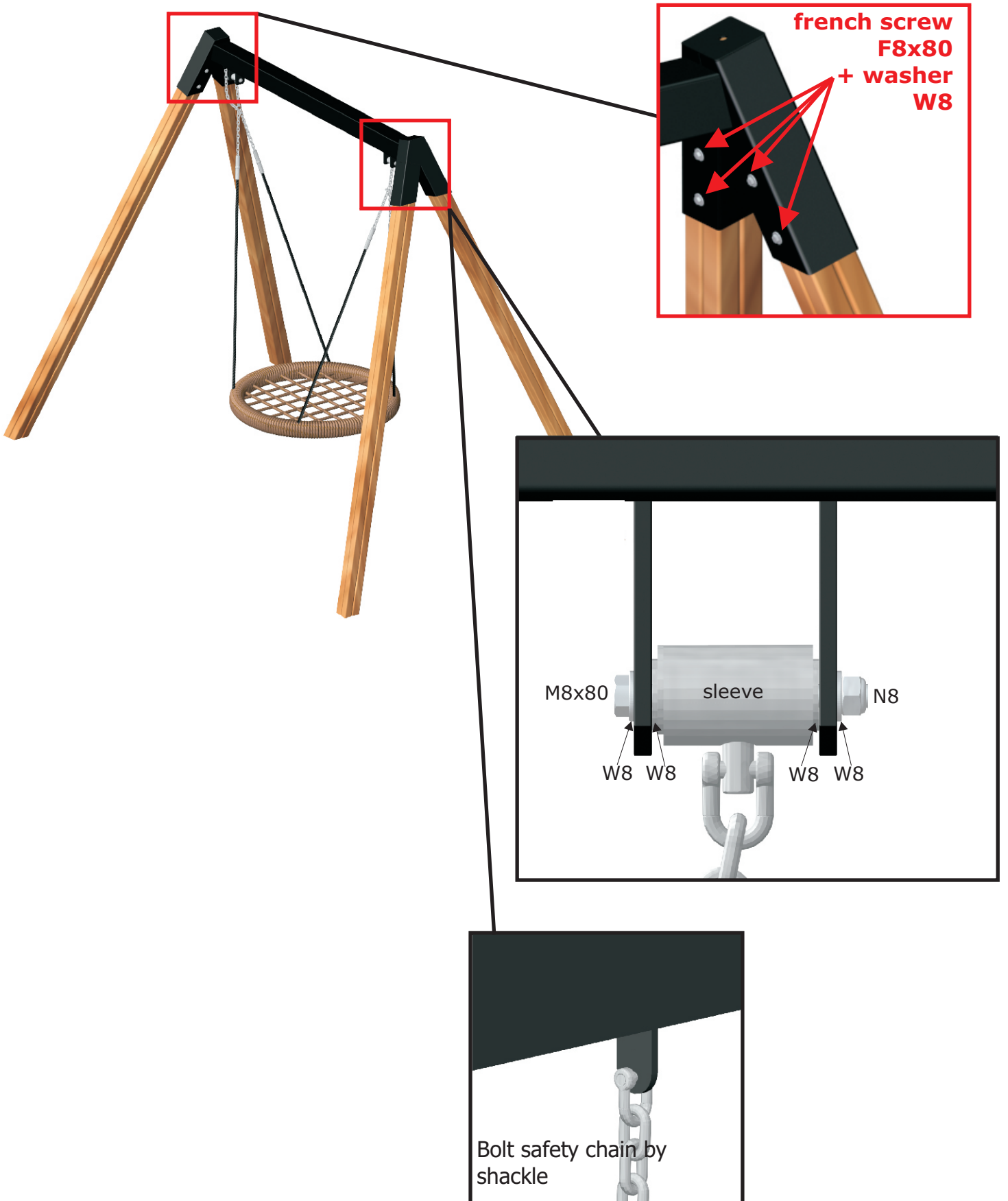
Buying date: _____
 Installation: _____
 Guarantee: _____

PIONEER



In case of uneven ground it is possible to cut the posts to obtain required height of the Swing

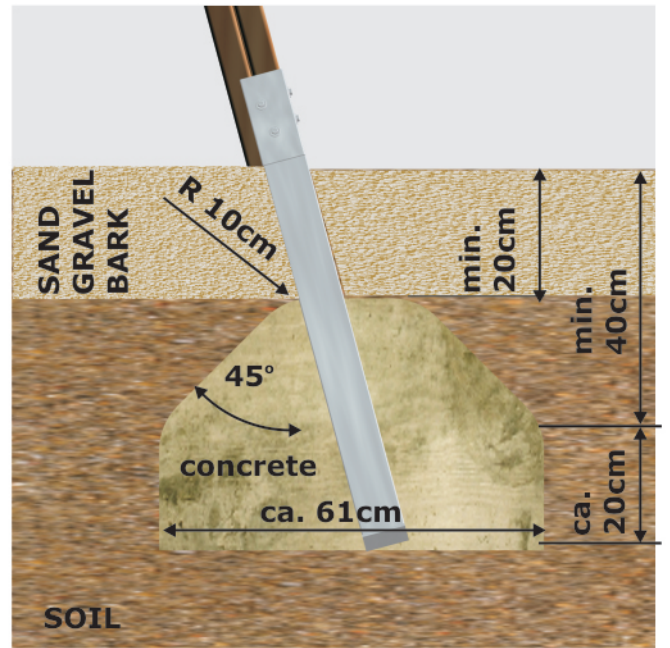
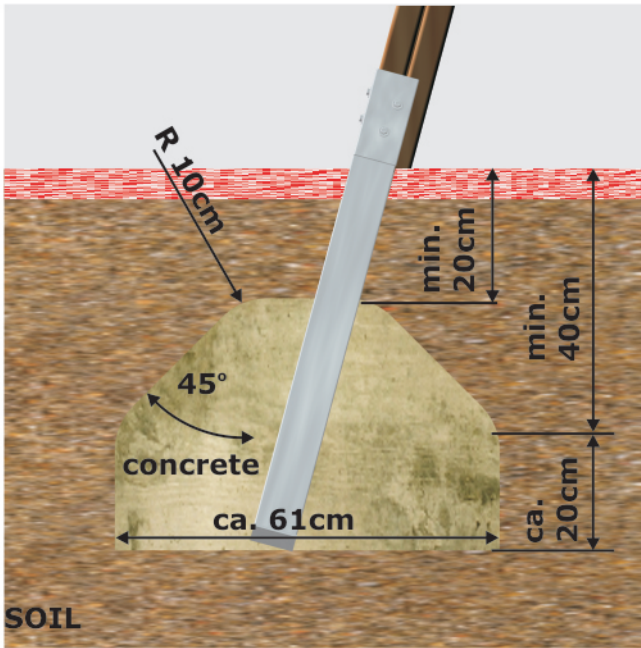
PIONEER



SURFACE

SAND, GRAVEL, BARK

metal anchors 70 cm in-ground



wooden posts 80 cm in-ground

