

OUTDOOR FURNITURE

Product name: Table&Bench Quadro, Steel Construction

Catalogue number: 14147

Dimensions: 235x235 cm

Total height: 77 cm

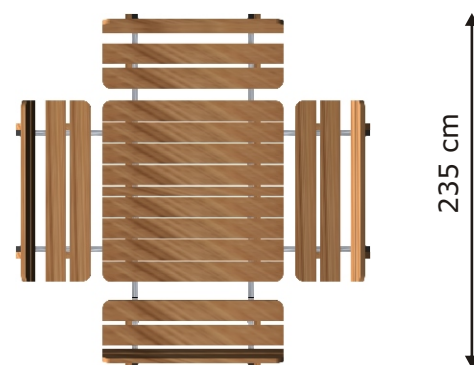
Seat height: 43 cm

Seat width: 30 cm

Spare parts available: YES



235 cm



235 cm

PRODUCT DATA

Product name: Table&Bench Quadro
Steel Construction

Catalogue No.: 14147

Product type: OUTDOOR FURNITURE

Critical Falling Height: _____ cm

Dimensions: 235x235 cm

Safety Zone: _____ cm

Age Level: _____ years

COMPANY DATA

Name: _____

Address: _____

Zip code/city: _____

Place: _____

Phone: _____

Fax: _____

Email: _____

Product Photo/Picture



OWNERS DATA

Name: _____

Contact: _____

Address: _____

Zip code/city: _____

Place: _____

Phone: _____

Fax: _____

Email: _____

AREA DATA

Placing: _____

Address: _____

Zip code/city: _____

Place: _____

Playground name: _____

Product number: _____

ADMINISTRATOR DATA

Name: _____

Contact: _____

Address: _____

Zip code/city: _____

Phone: _____

Fax: _____

Email: _____

SURFACE

Material: _____

Dimensions: _____

Underground: _____

Supplier: _____

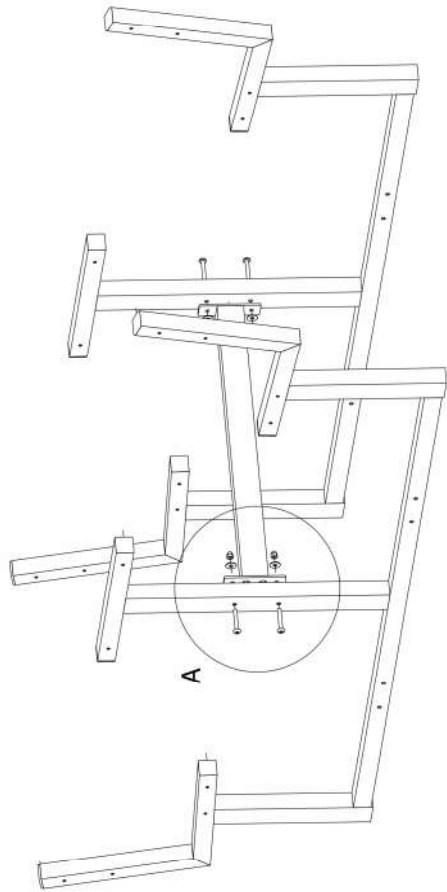
Buying date: _____

Installation: _____

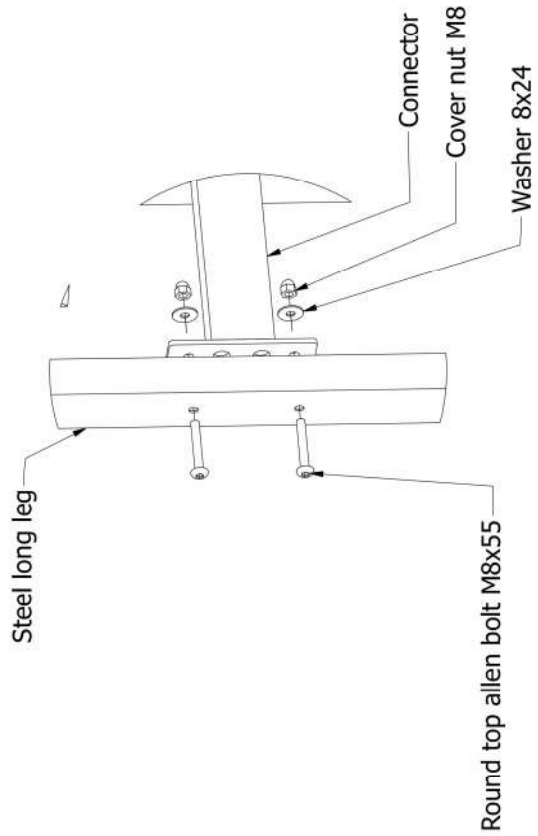
Guarantee: _____

INSTALLATION MANUAL 14147

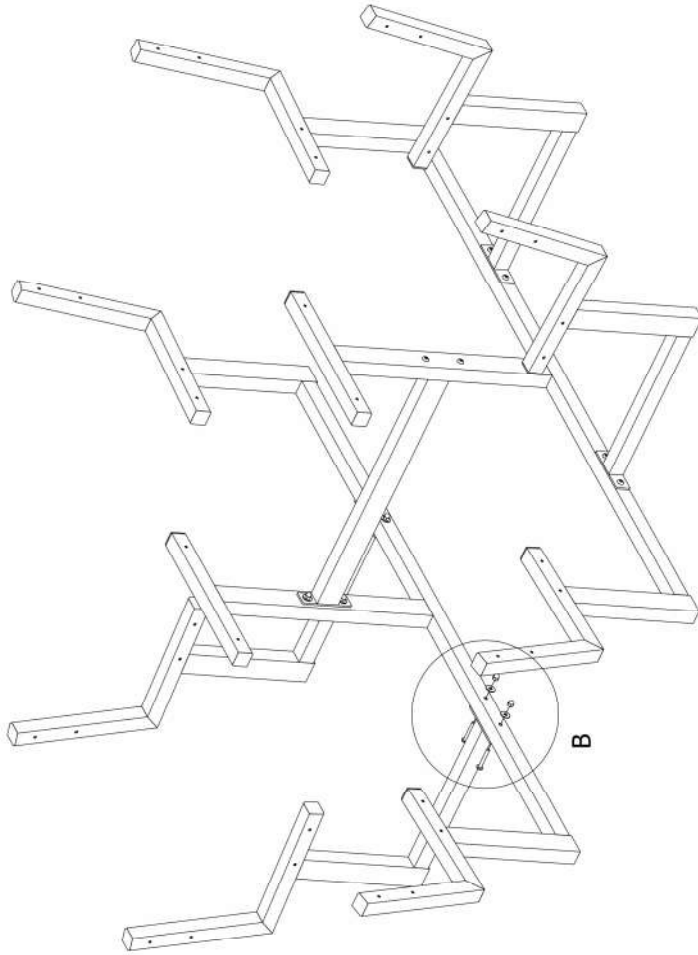
Step 1: Screw steel long legs with connector.



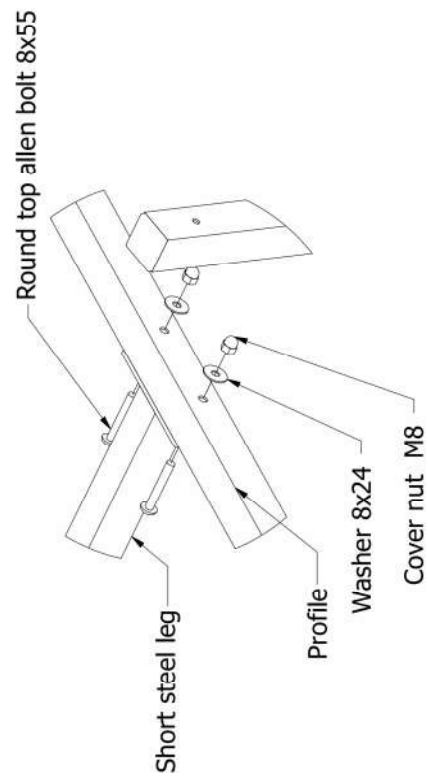
A (1:5)



Step 2: Screw shorter steel legs with profiles.

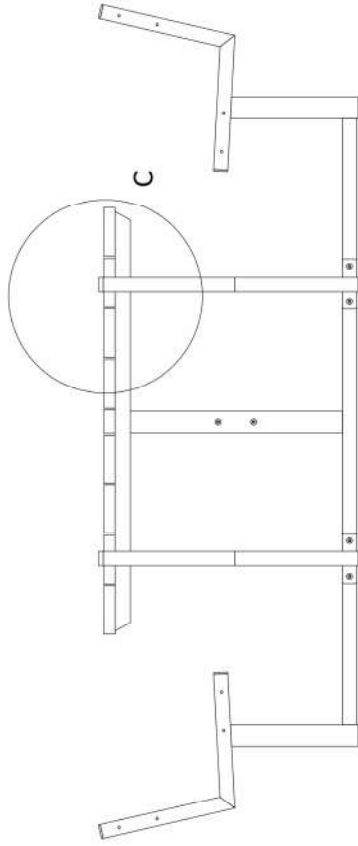


B (1:5)



INSTALLATION MANUAL 14147

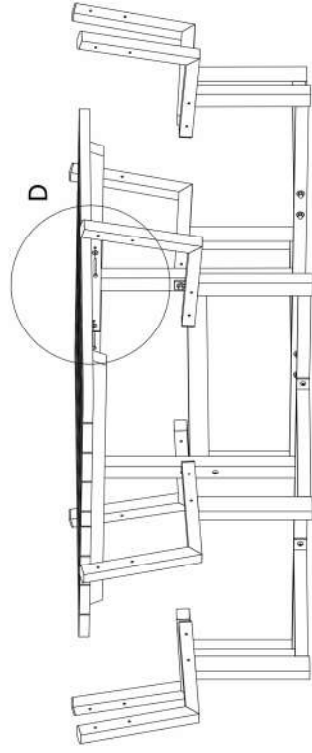
Step 3: Place table top between profiles.



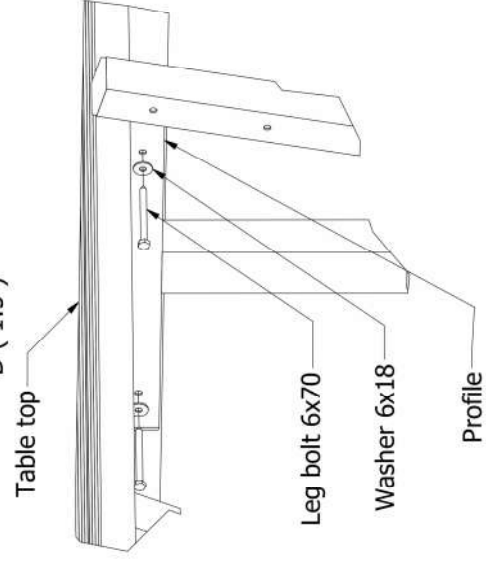
C (1:5)



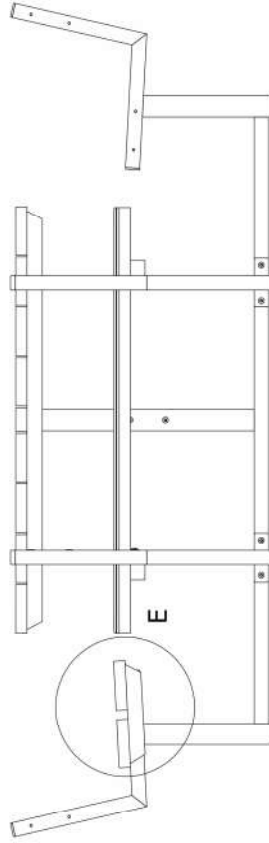
Step 4: Screw together.



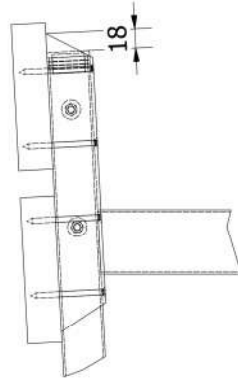
D (1:5)



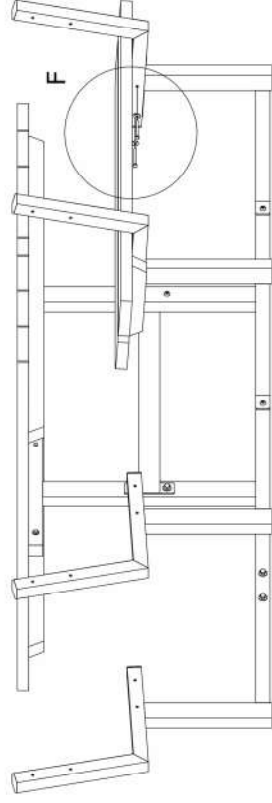
Step 5: Place first seat between profiles.



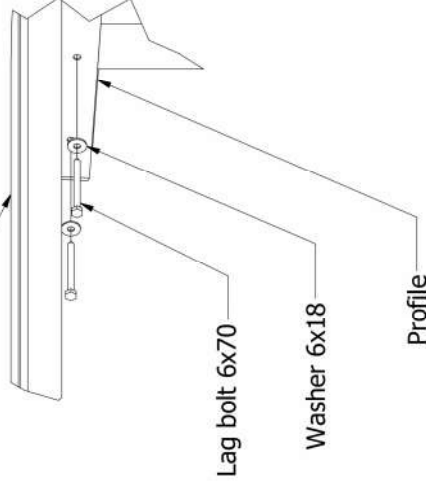
E (1:5)



Step 6: Screw together.

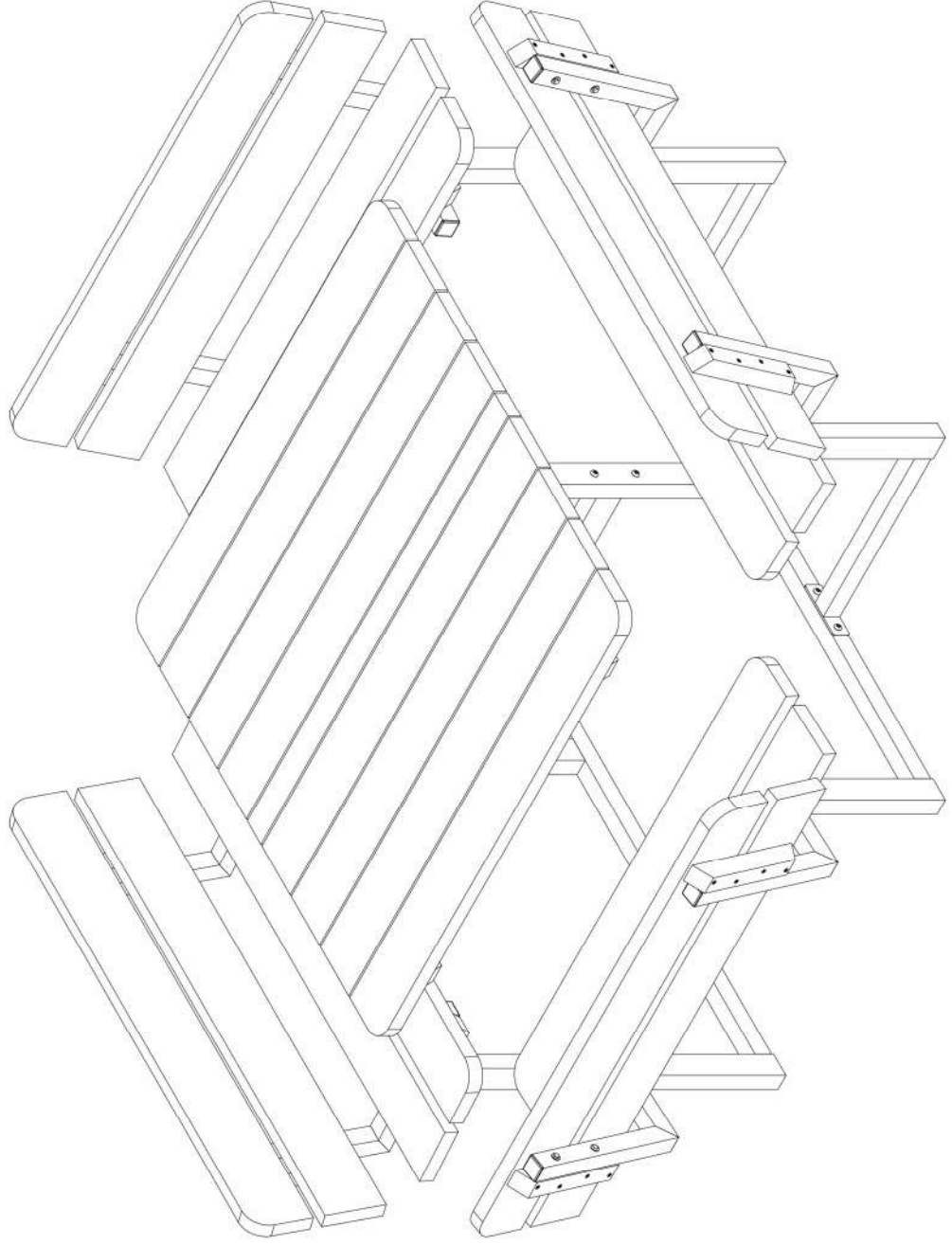


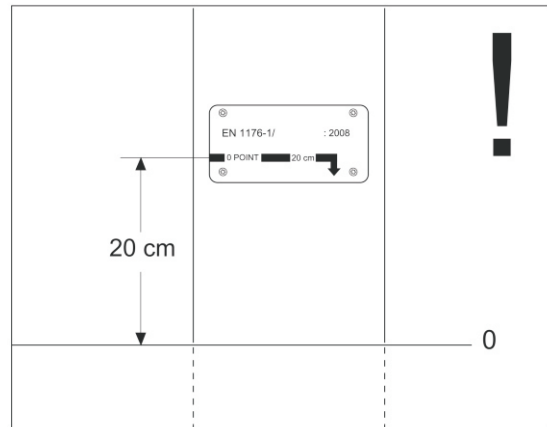
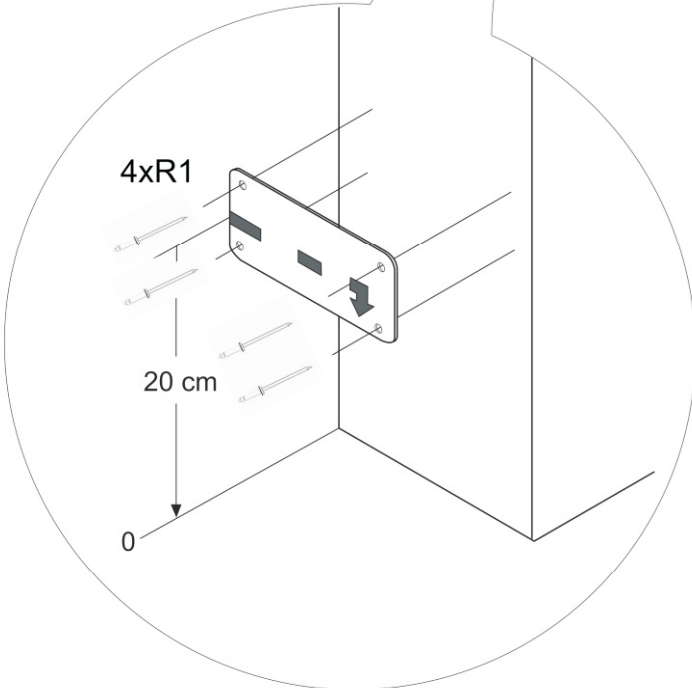
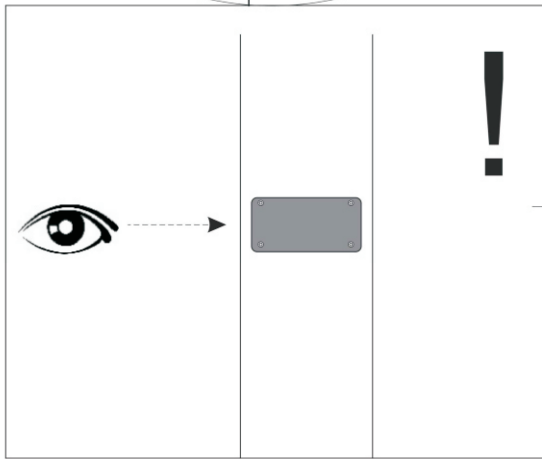
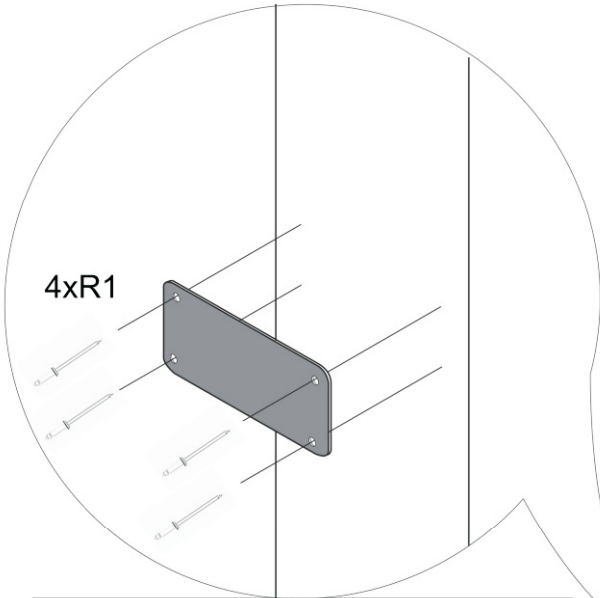
F (1:5)



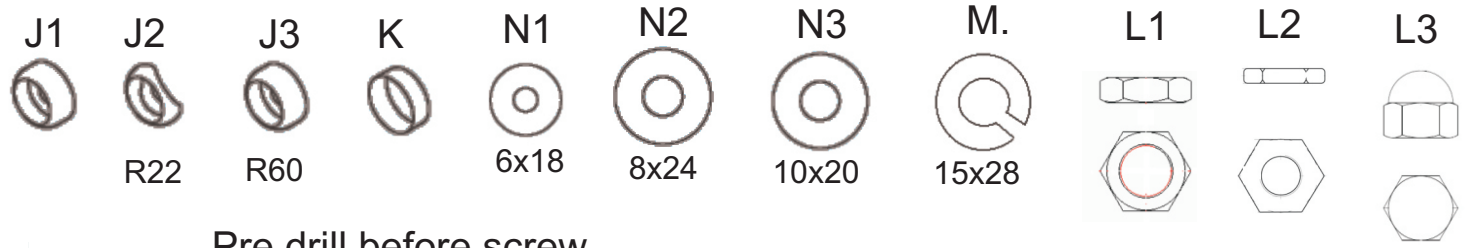
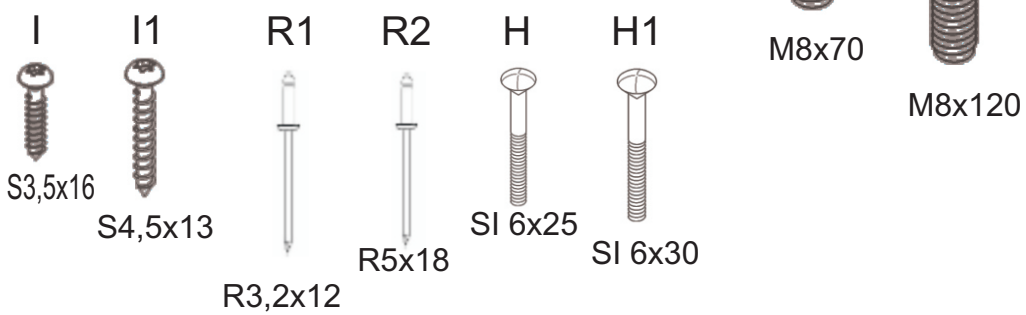
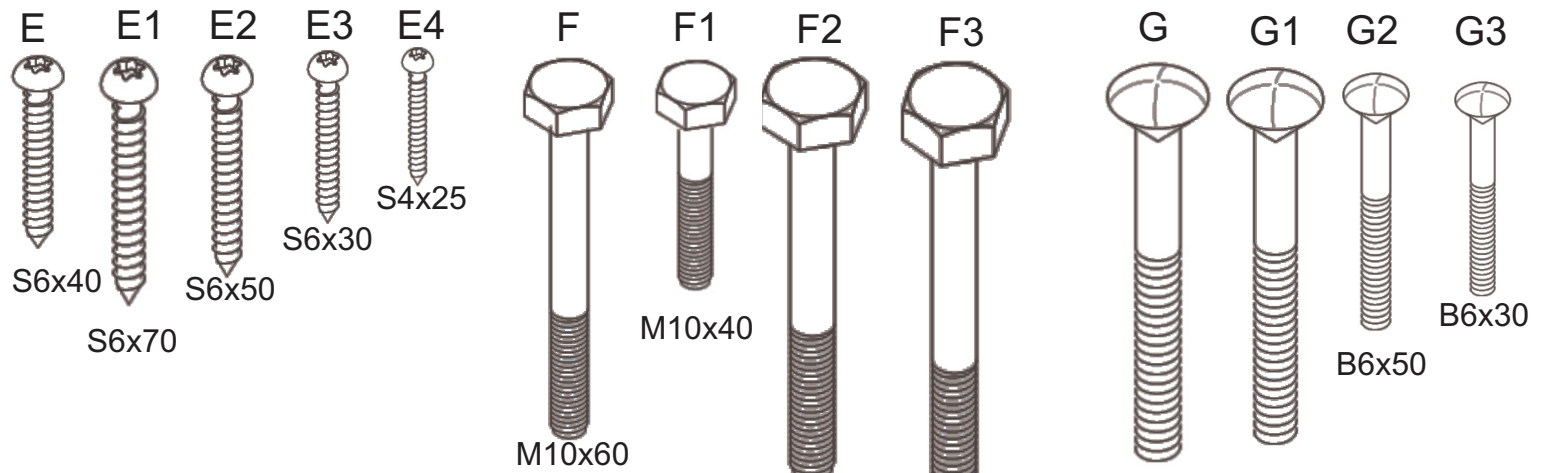
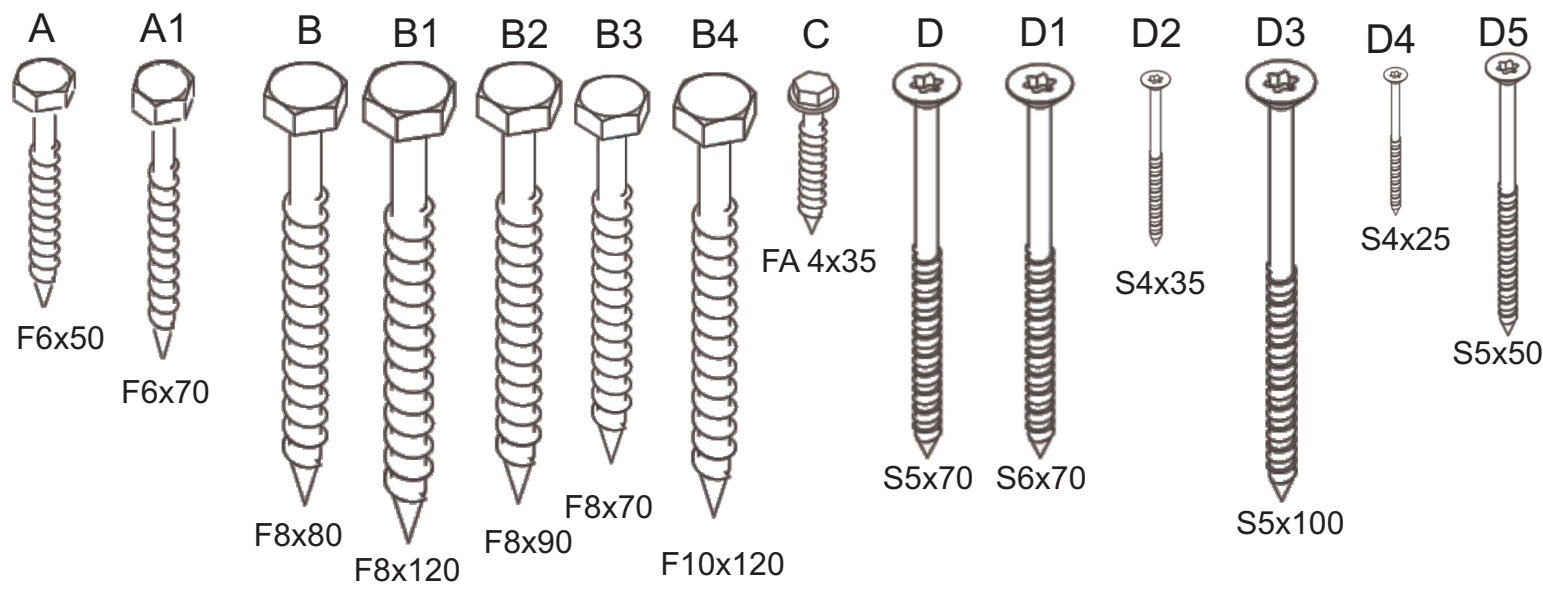
INSTALLATION MANUAL 14147

Step 7: Install other seats and back rests in the same way.





Article	Ground level plate, Product Plate		
Made by	Caroline W.		
Date	28.08.2013	Modified	16.12.2014



Pre drill before screw.
 Hole in wood for screw: one size smaller than screw.
 Hole in wood for bolt: one size bigger than bolt.
 Hole in plastic: the same size as screw.



Saw if necessary.



Cut if necessary.



Impregnate surface.



Grind surface before install.

Installation manual to the ground

If You want to install bench/table/trashbin/bike parking to the ground, put threaded rod and level product with nut and washer, like in the drawing. Screw the product using threaded rod with plate, washer and selflocking nut. Cover the threaded rod using plastic cup. Concreted threaded rod.

