

1

14153

OUTDOOR FURNITURE

Product name: Bench around the tree

Catalogue number: 14153

Dimensions: 219x219 cm

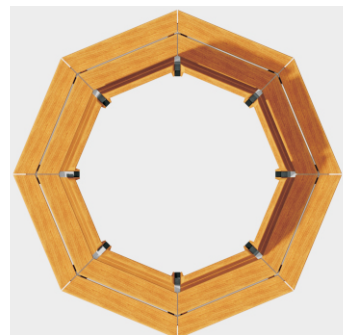
Total height: 77 cm

Seat height: 43 cm



43 cm
77 cm

219 cm



219 cm

PRODUCT DATA

Product name: Bench around the tree
Catalogue No.: 14153
Product type: Outdoor furniture

Critical Falling Height: _____ **cm**
Dimensions: 219x219 **cm**
Safety Zone: _____ **cm**
Age Level: _____ **years**

COMPANY DATA

Name: _____
Address: _____
Zip code/city: _____
Place: _____
Phone: _____
Fax: _____
Email: _____

Product Photo/Picture**OWNERS DATA**

Name: _____
Contact: _____
Address: _____
Zip code/city: _____
Place: _____
Phone: _____
Fax: _____
Email: _____

AREA DATA

Placing: _____
Address: _____
Zip code/city: _____
Place: _____
Playground name: _____
Product number: _____

ADMINISTRATOR DATA

Name: _____
Contact: _____
Address: _____
Zip code/city: _____
Phone: _____
Fax: _____
Email: _____

SURFACE

Material: _____
Dimensions: _____
Underground: _____
Supplier: _____

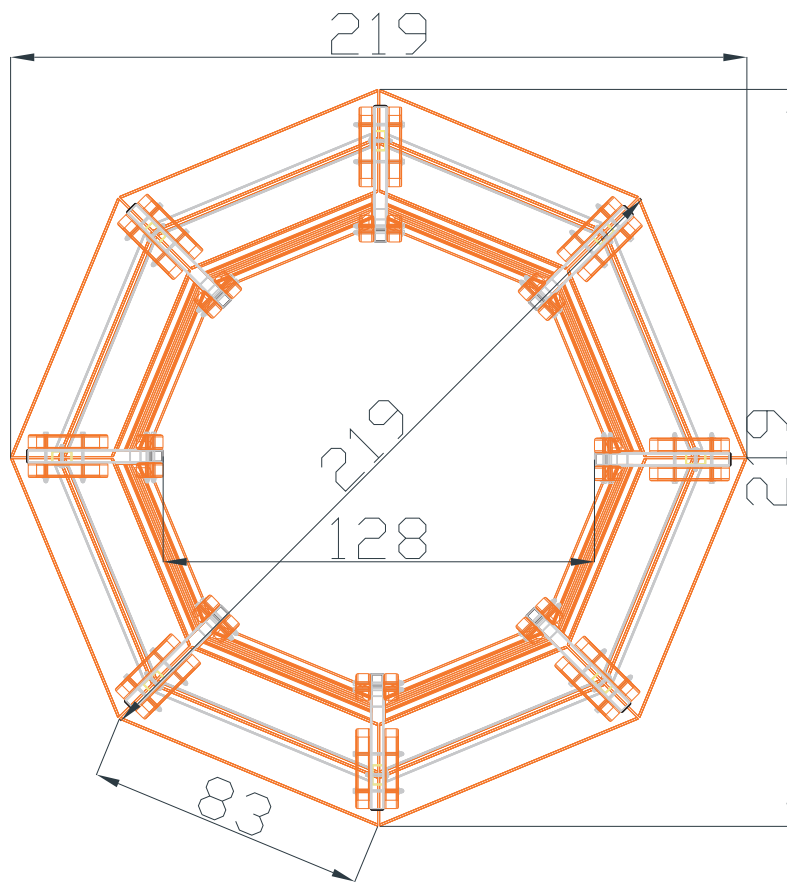
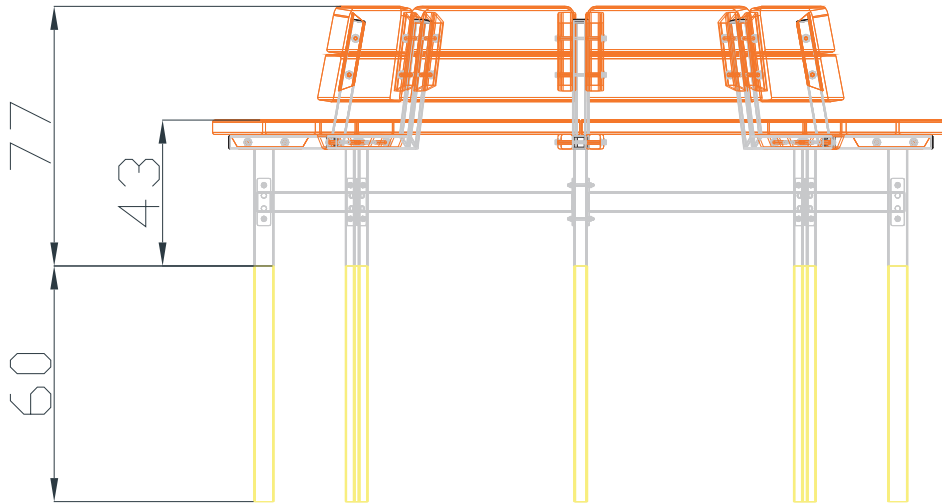
Buying date: _____
Installation: _____
Guarantee: _____

3

14153

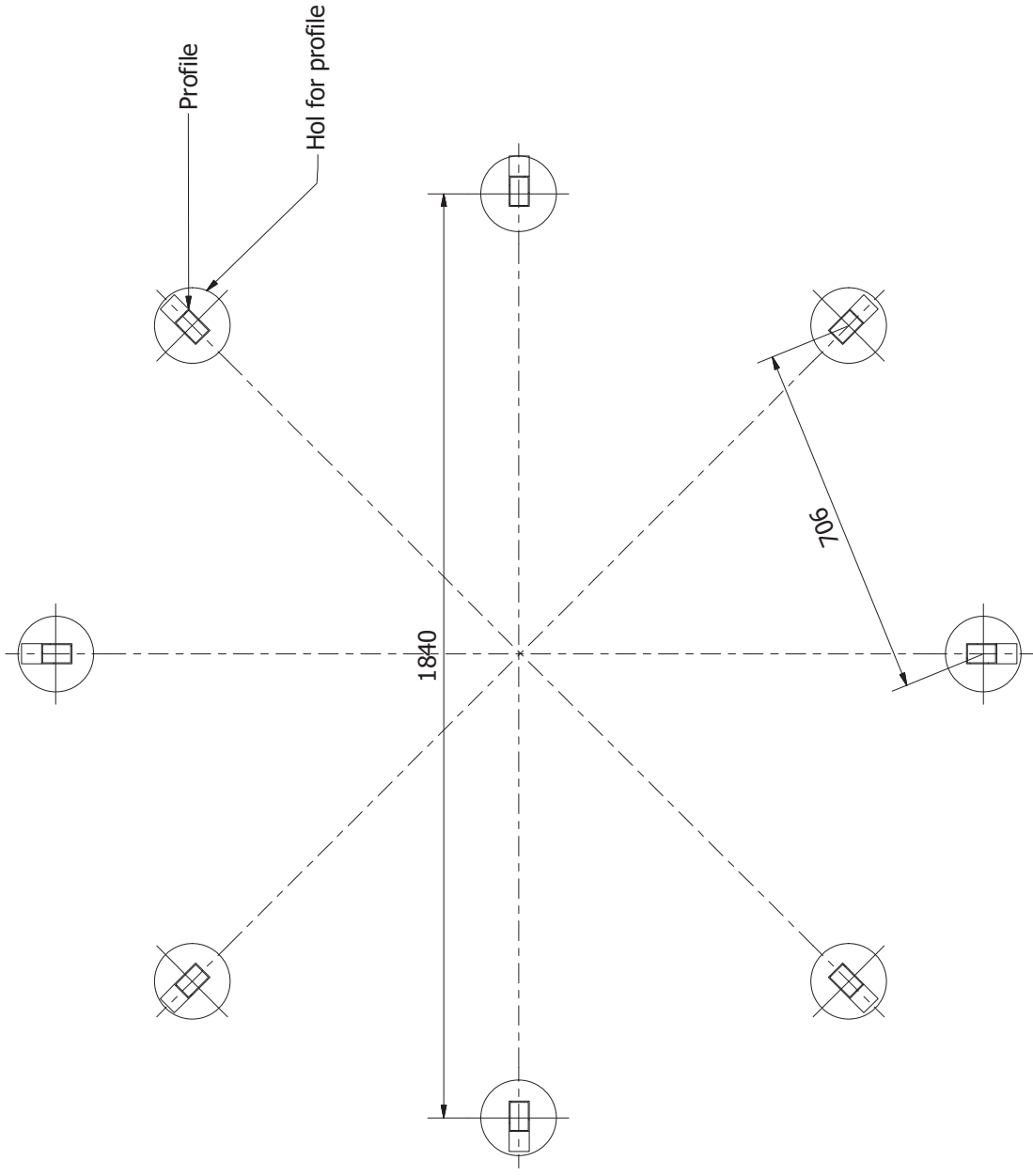
Product main dimensions

OUTDOOR FURNITURE



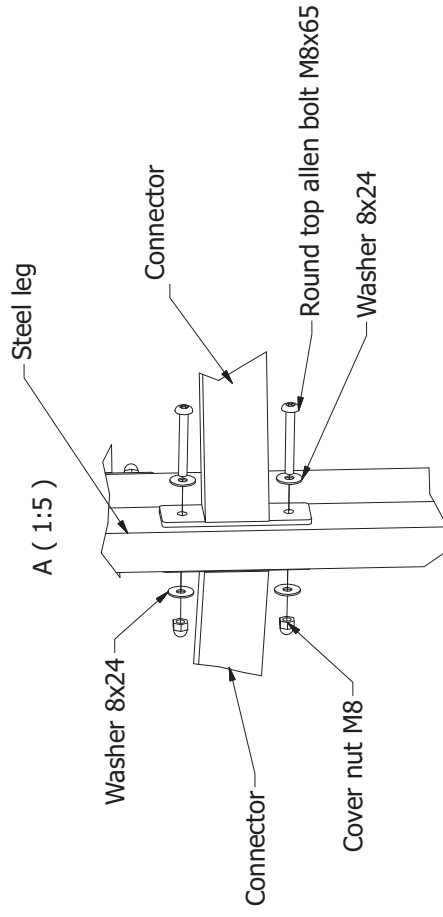
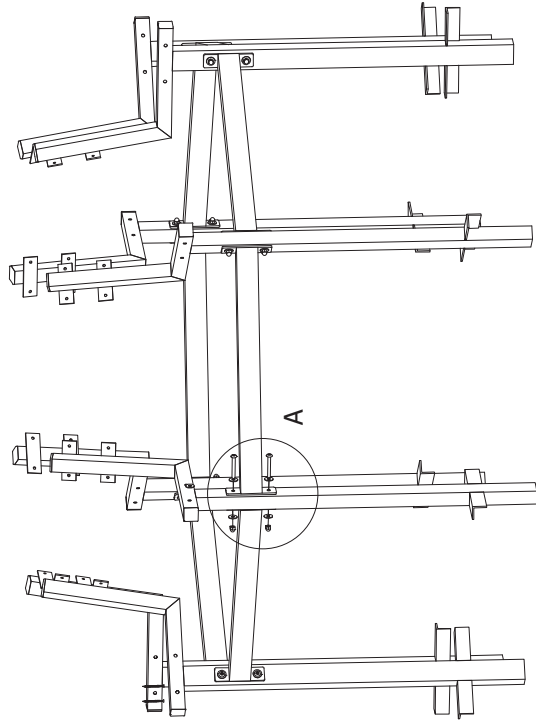
INSTALLATION MANUAL 14153

Step 1: Make holes the ground for eight legs according to dimensions showed below.

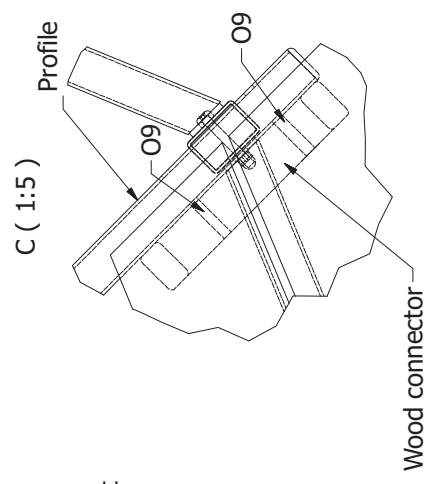
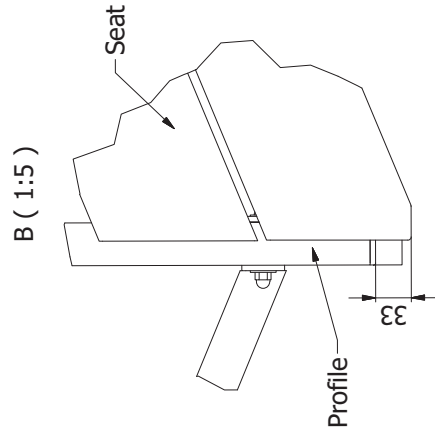
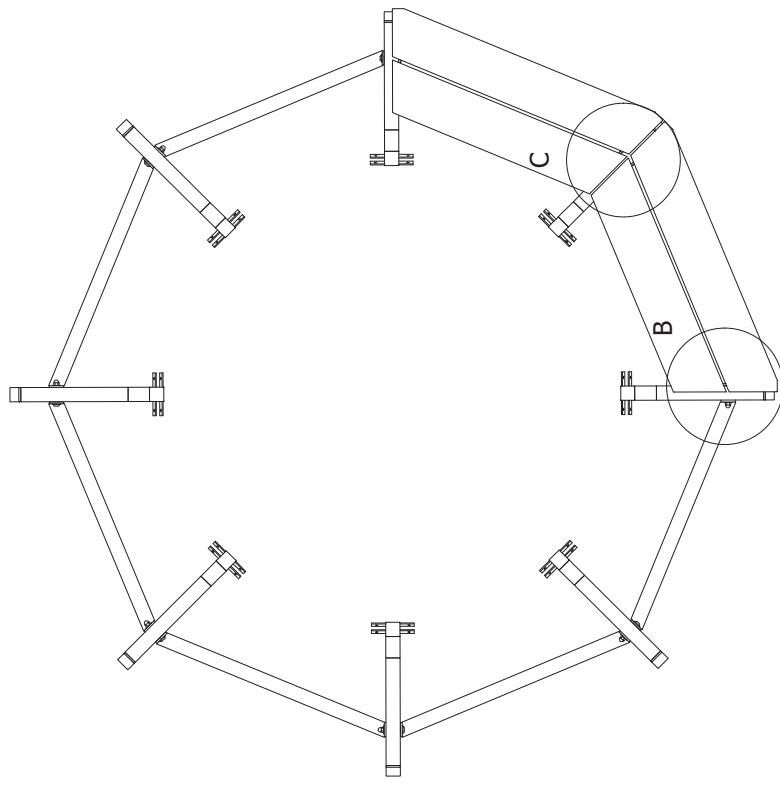


INSTALLATION MANUAL 14153

Step 2: Install connectors to steel legs leaving some slack.

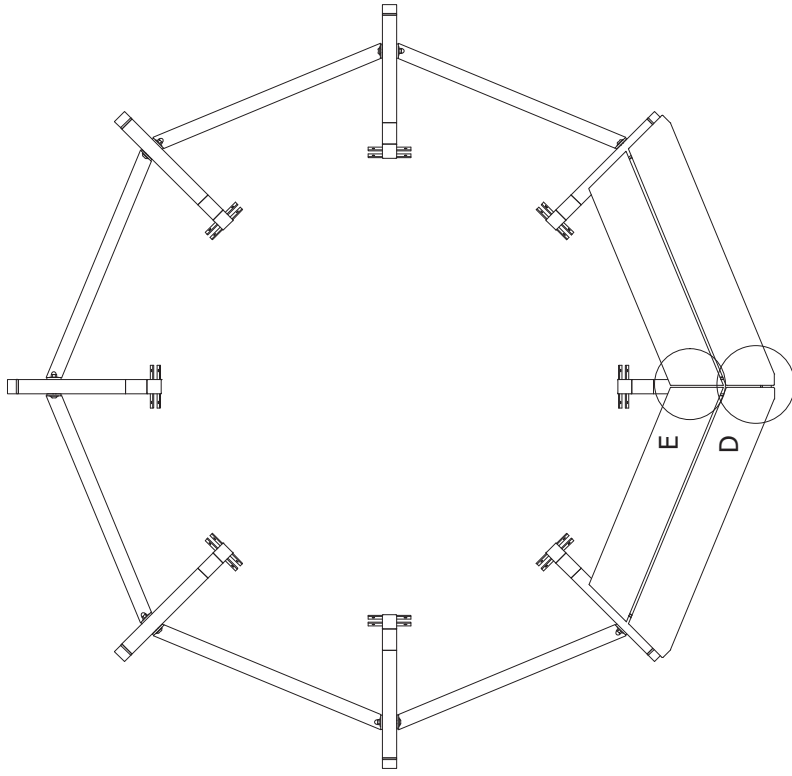


Step 3: Place first seat between profiles and drill holes through profile in wood connector.

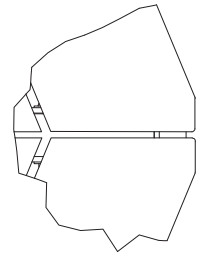


INSTALLATION MANUAL 14153

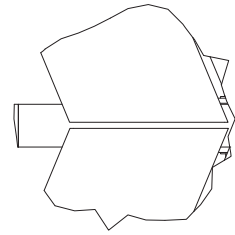
Step 4: Place second seat.



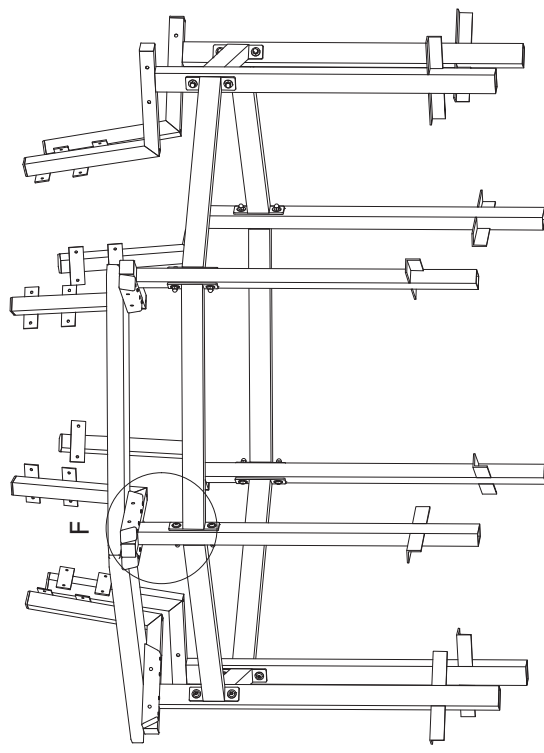
D (1:5)



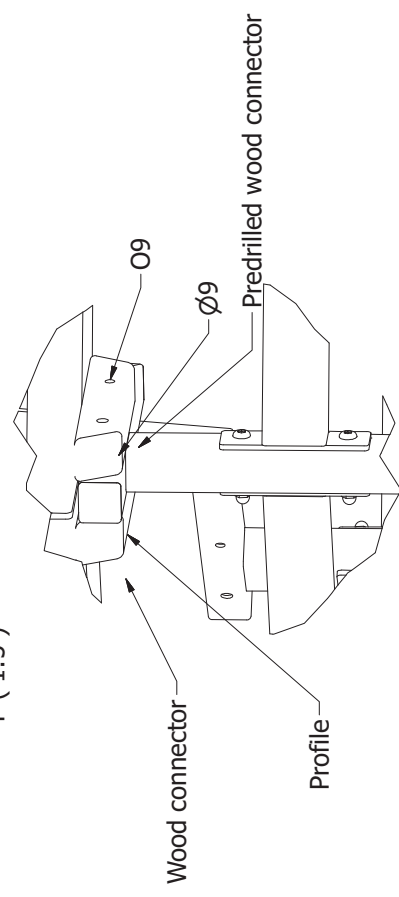
E (1:5)



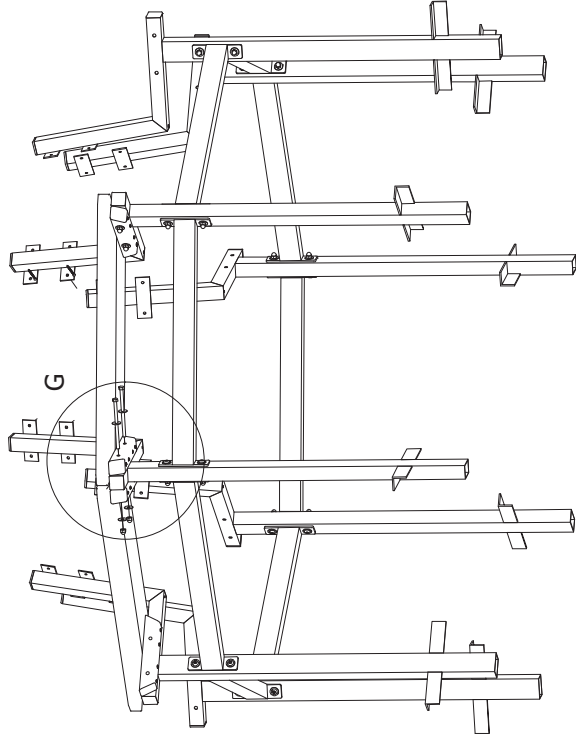
Step 5: Drill holes through wood connector - profile - wood connector start from predrilled side.



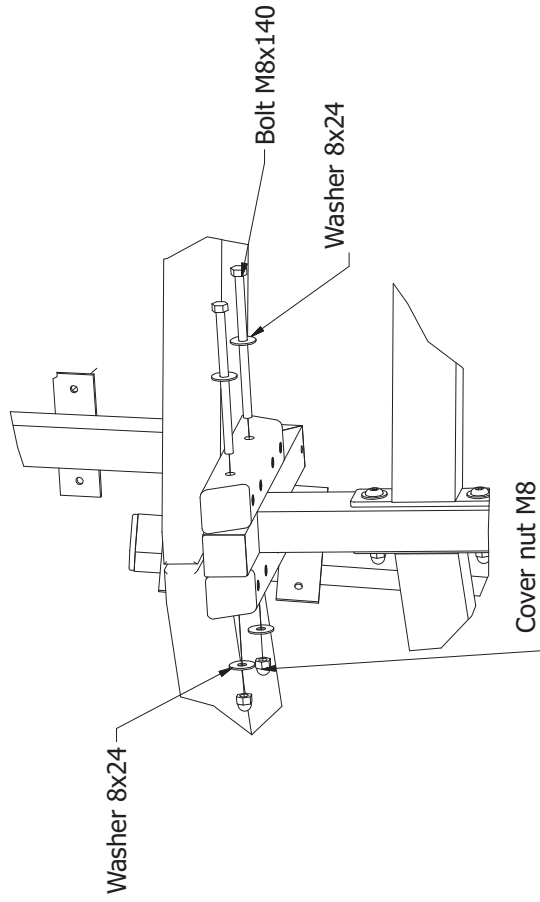
F (1:5)



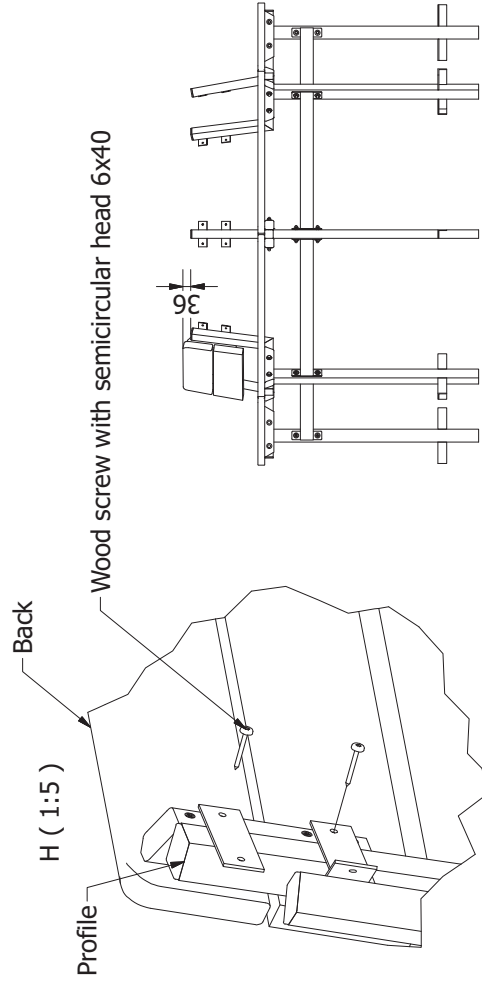
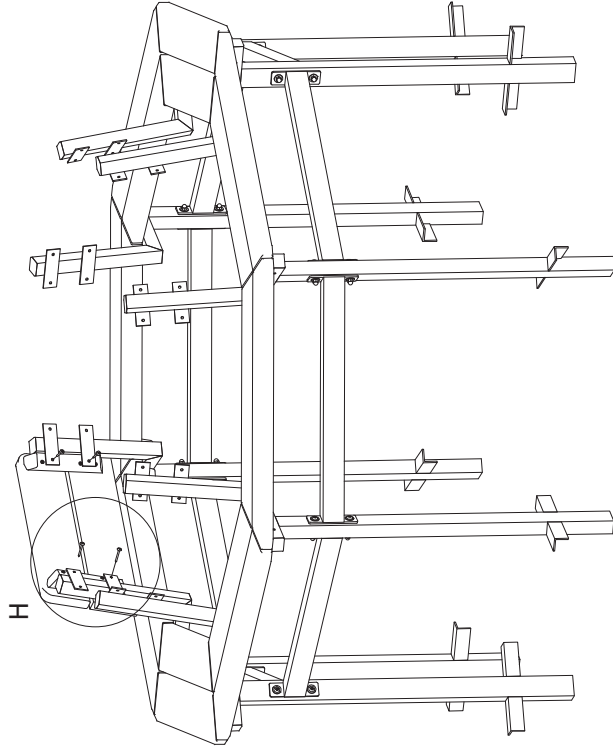
Step 6: Connect two seat together.



G (1:5)

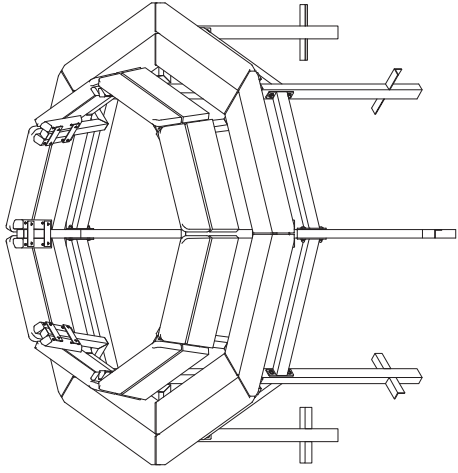


Step 7: Place back between profiles and screw.

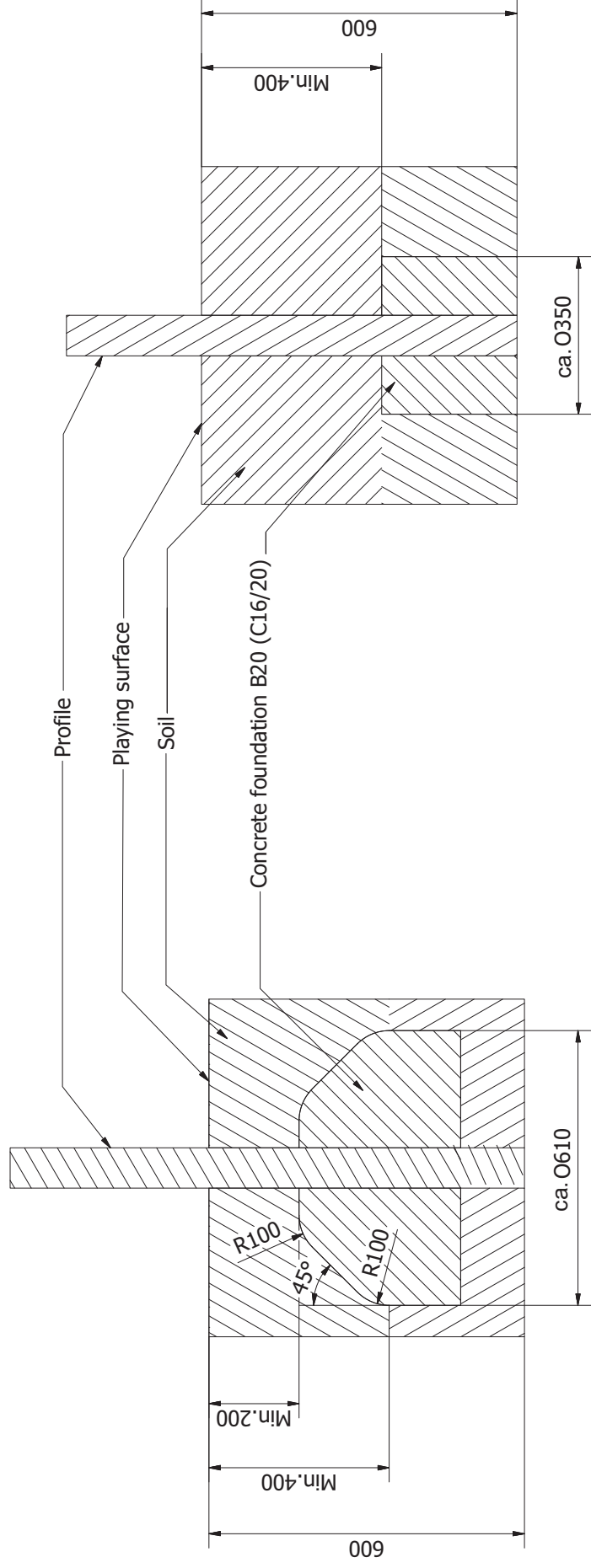


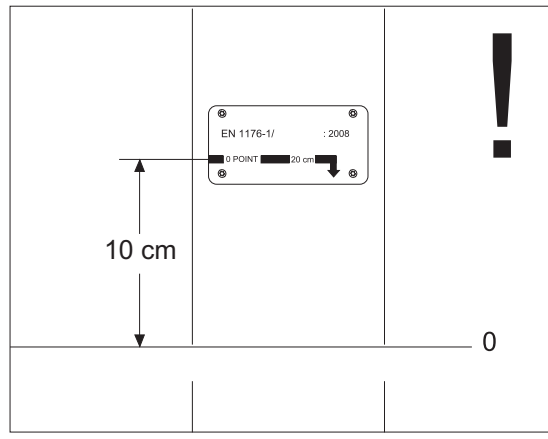
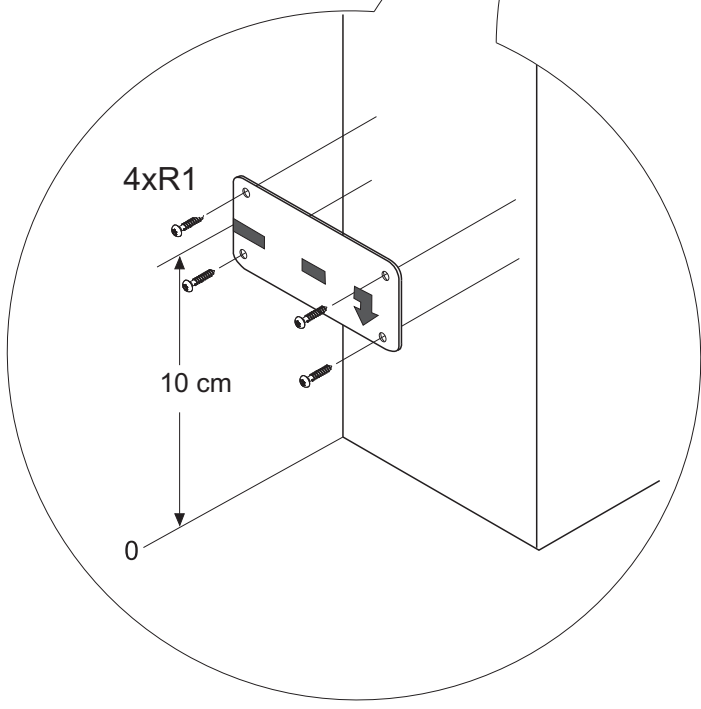
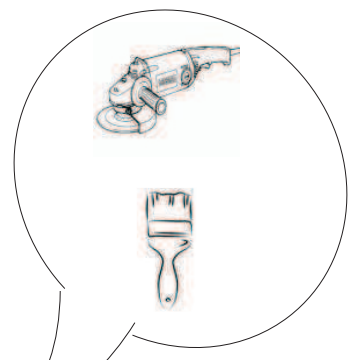
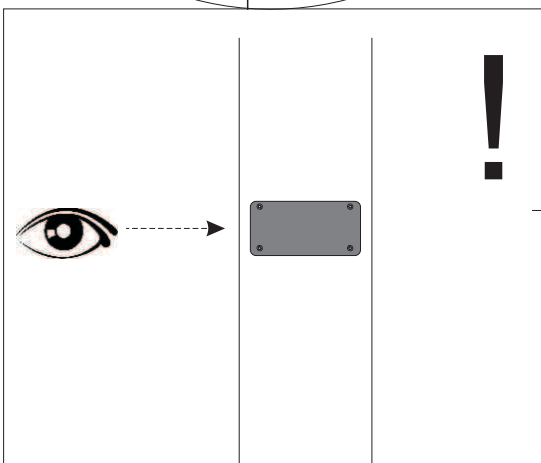
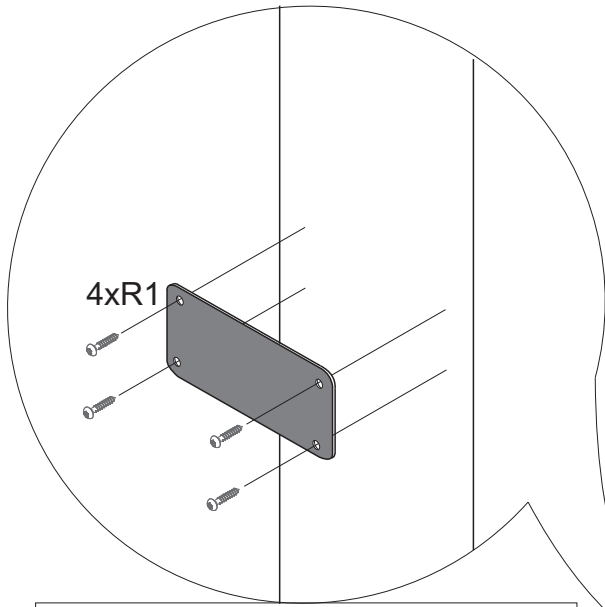
INSTALLATION MANUAL 14153

Step 8: Install other seats and backs in the same way. Tighten steel connectors.

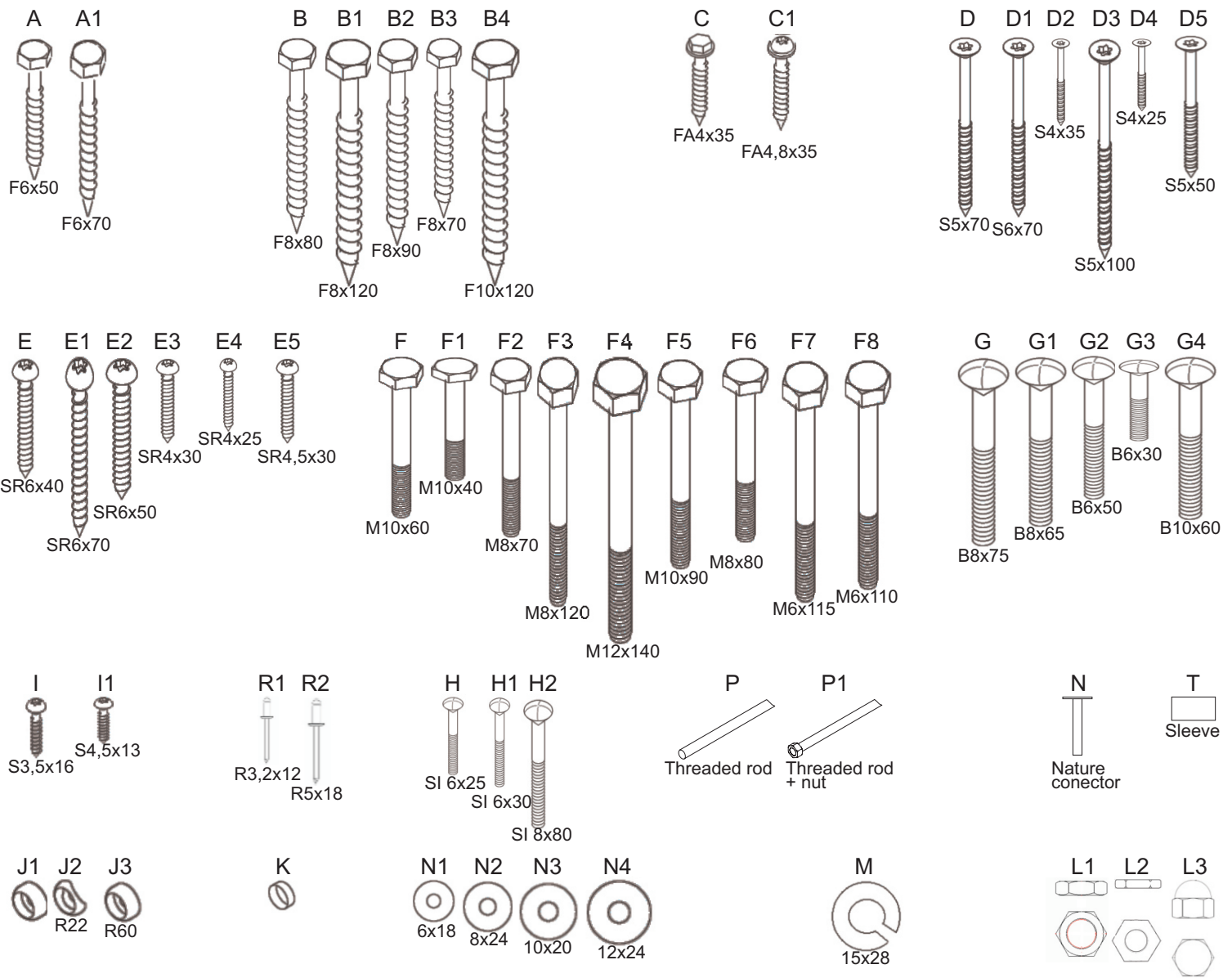


Step 9: Put bench in the ground, pour the concrete, protect holes against unauthorized users and leave concrete for drying minimum 24 hours. Use one of possible foundations.

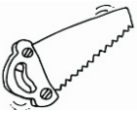




Article	Ground level plate, Product Plate		
Made by	Caroline W.		
Date	28.08.2013	Modified	16.12.2014



Pre drill before screw.
 Hole in wood for screw: one size smaller than screw.
 Hole in wood for bolt: one size bigger than bolt.
 Hole in plastic: the same size as screw.



Saw if necessary.



Hit with a hammer.



Impregnate surface.



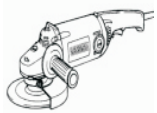
Cut if necessary.



Concreted.



Add glue.



Grind surface before install.