

1

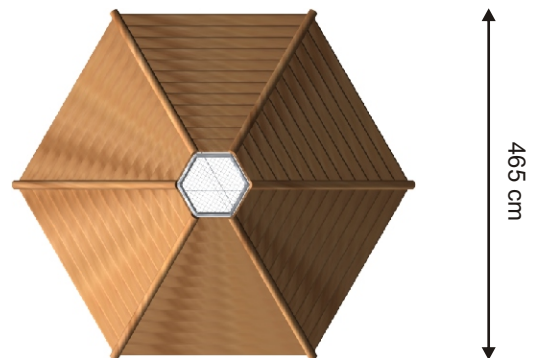
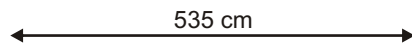
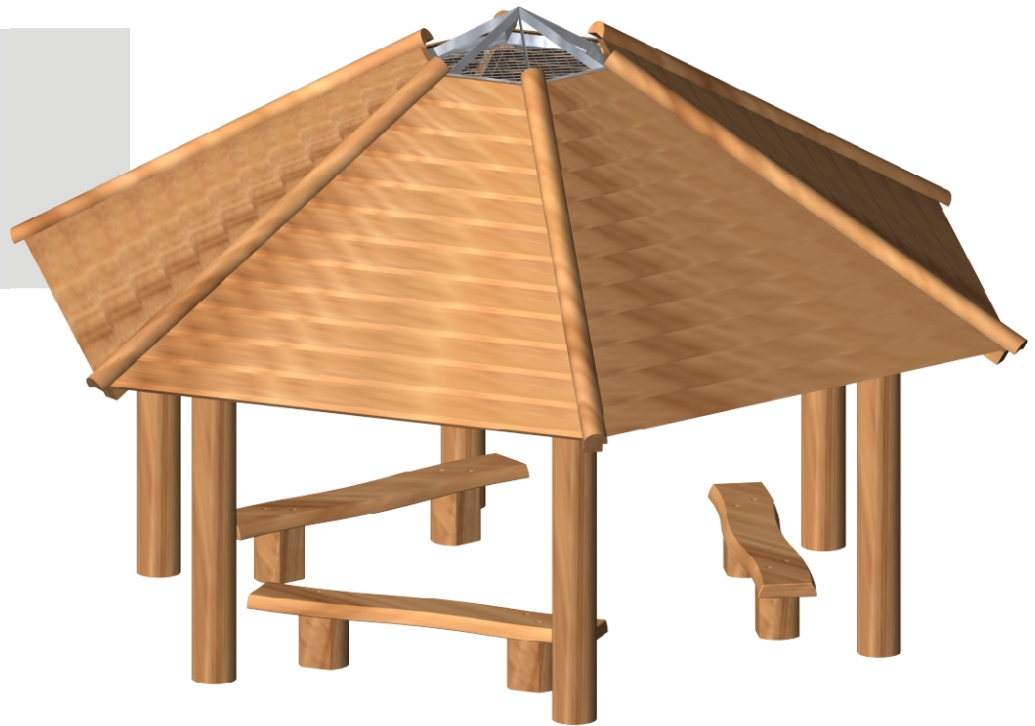
13072

LARS LAJ®

TRESS®

NATURE

Product name: Firehouse
Catalogue number: 13072
Dimensions: 535x465 cm
Total height: 309 cm



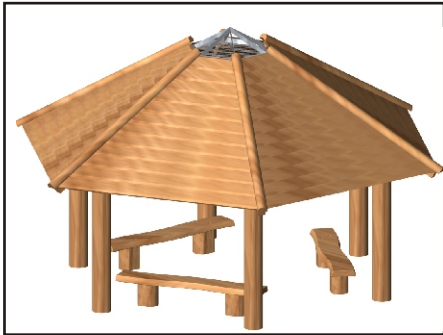
PRODUCT DATA

Product name: Firehouse
Catalogue No.: 13072
Product type: NATUR

Critical Falling Height: _____ **cm**
Dimensions: 535x465 **cm**
Safety Zone: _____ **cm**
Age Level: _____ **years**

COMPANY DATA

Name: _____
Address: _____
Zip code/city: _____
Place: _____
Phone: _____
Fax: _____
Email: _____

Product Photo/Picture**OWNERS DATA**

Name: _____
Contact: _____
Address: _____
Zip code/city: _____
Place: _____
Phone: _____
Fax: _____
Email: _____

AREA DATA

Placing: _____
Address: _____
Zip code/city: _____
Place: _____
Playground name: _____
Product number: _____

ADMINISTRATOR DATA

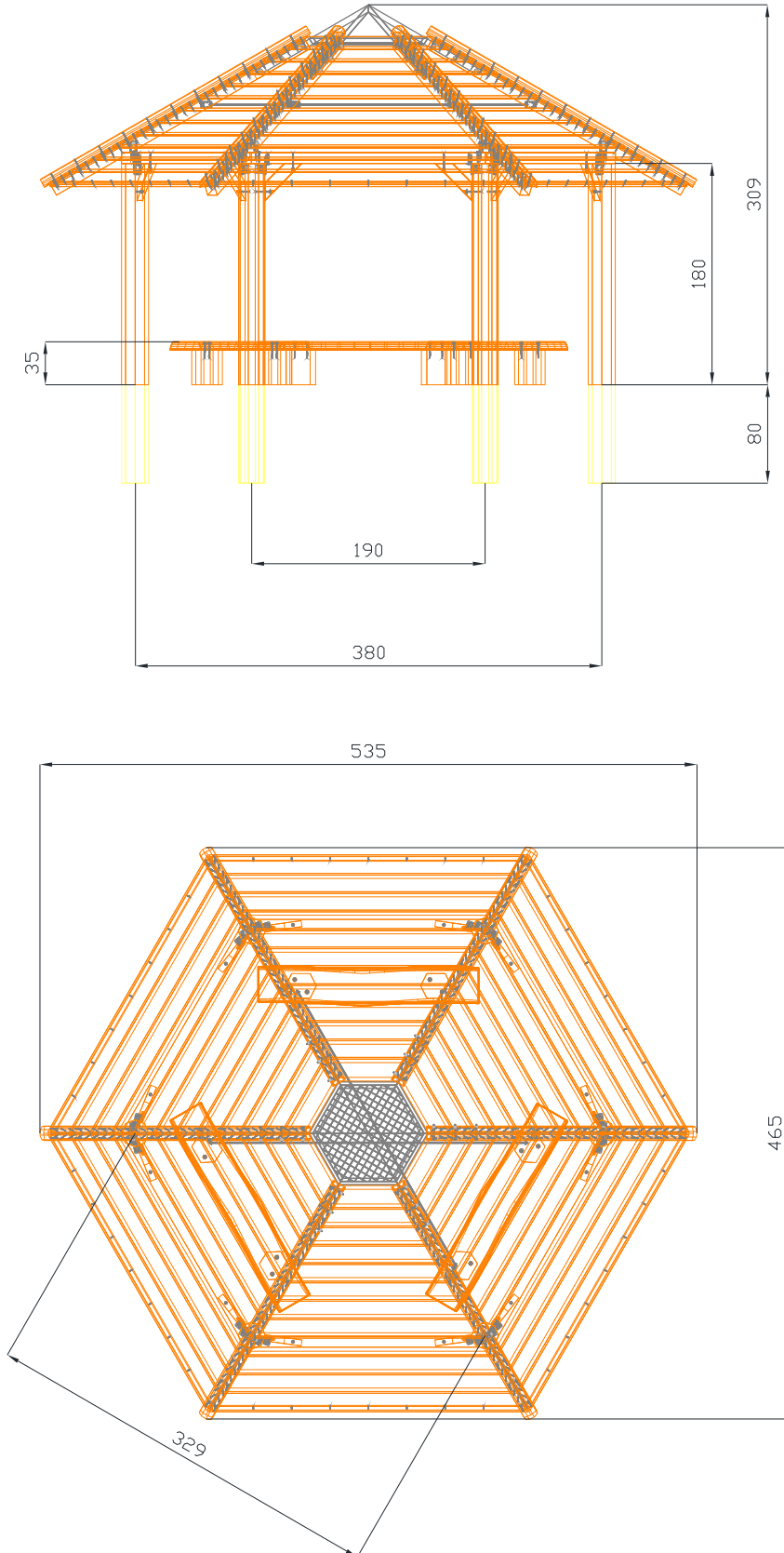
Name: _____
Contact: _____
Address: _____
Zip code/city: _____
Phone: _____
Fax: _____
Email: _____

SURFACE

Material: _____
Dimensions: _____
Underground: _____
Supplier: _____

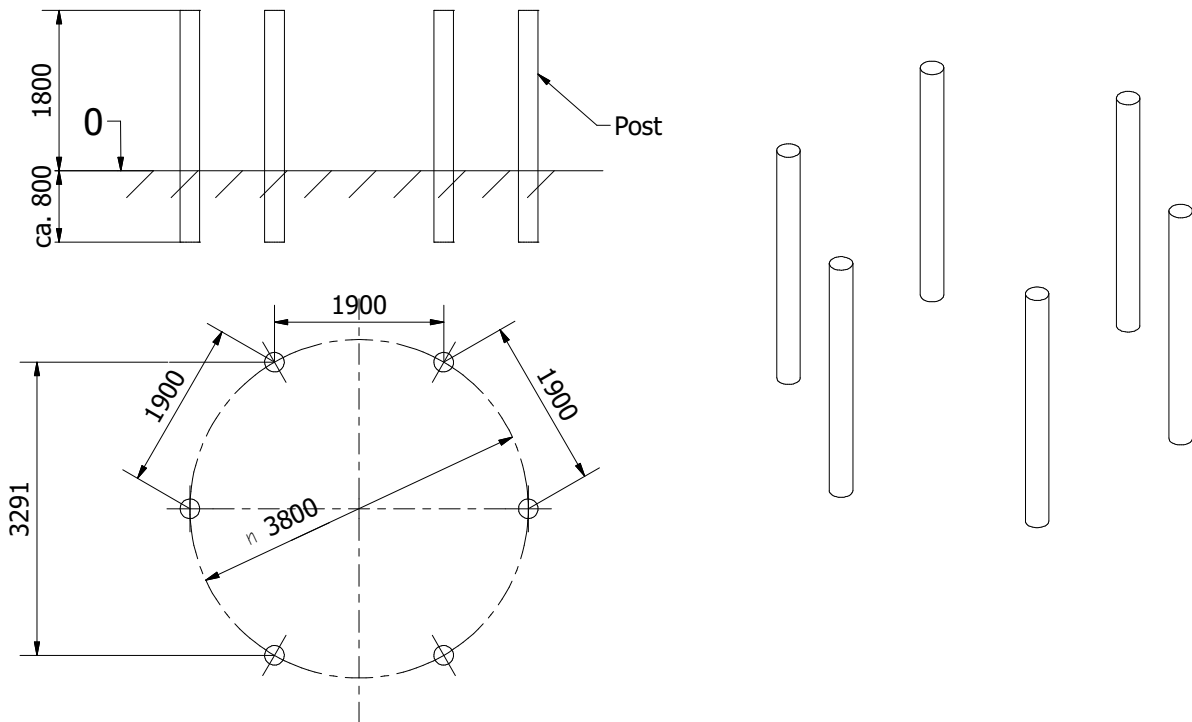
Buying date: _____
Installation: _____
Guarantee: _____

NATURE

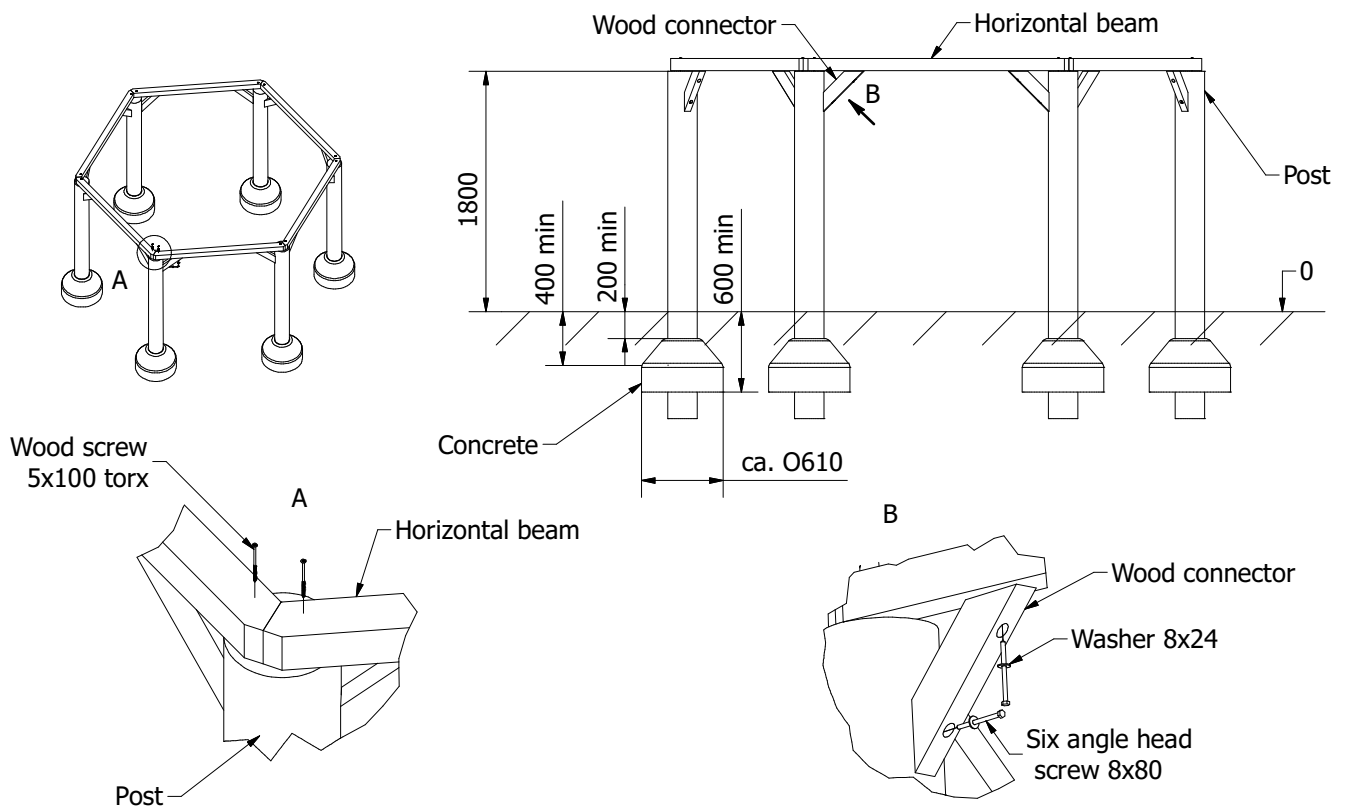


INSTALLATION MANUAL 13072

Step 1: Dig foundation ditches for each post (see drawing below). Install the posts in their positions ensuring their stability.



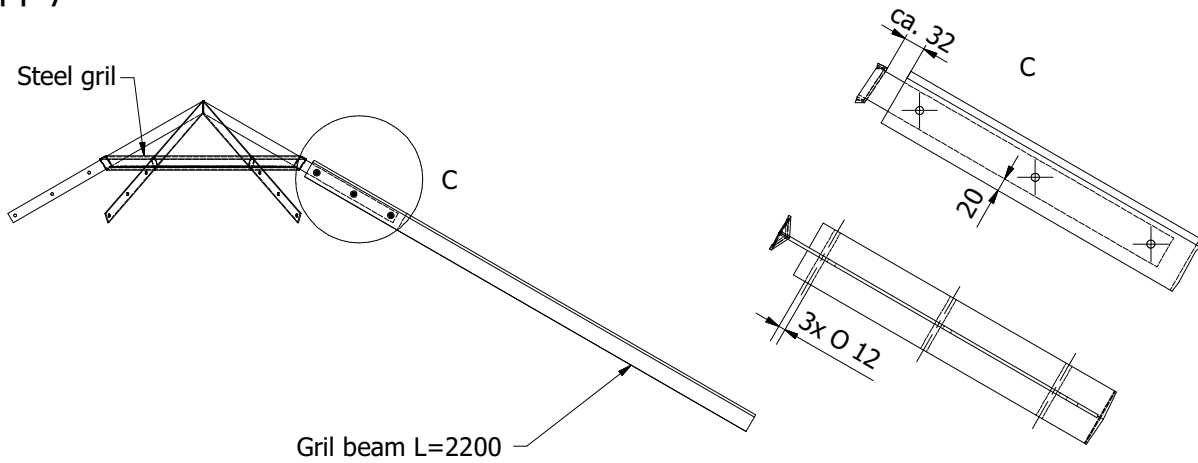
Step 2: Install the horizontal beams on the posts using wood connectors and screws. Pour the foundation concrete for each post and leave to dry.



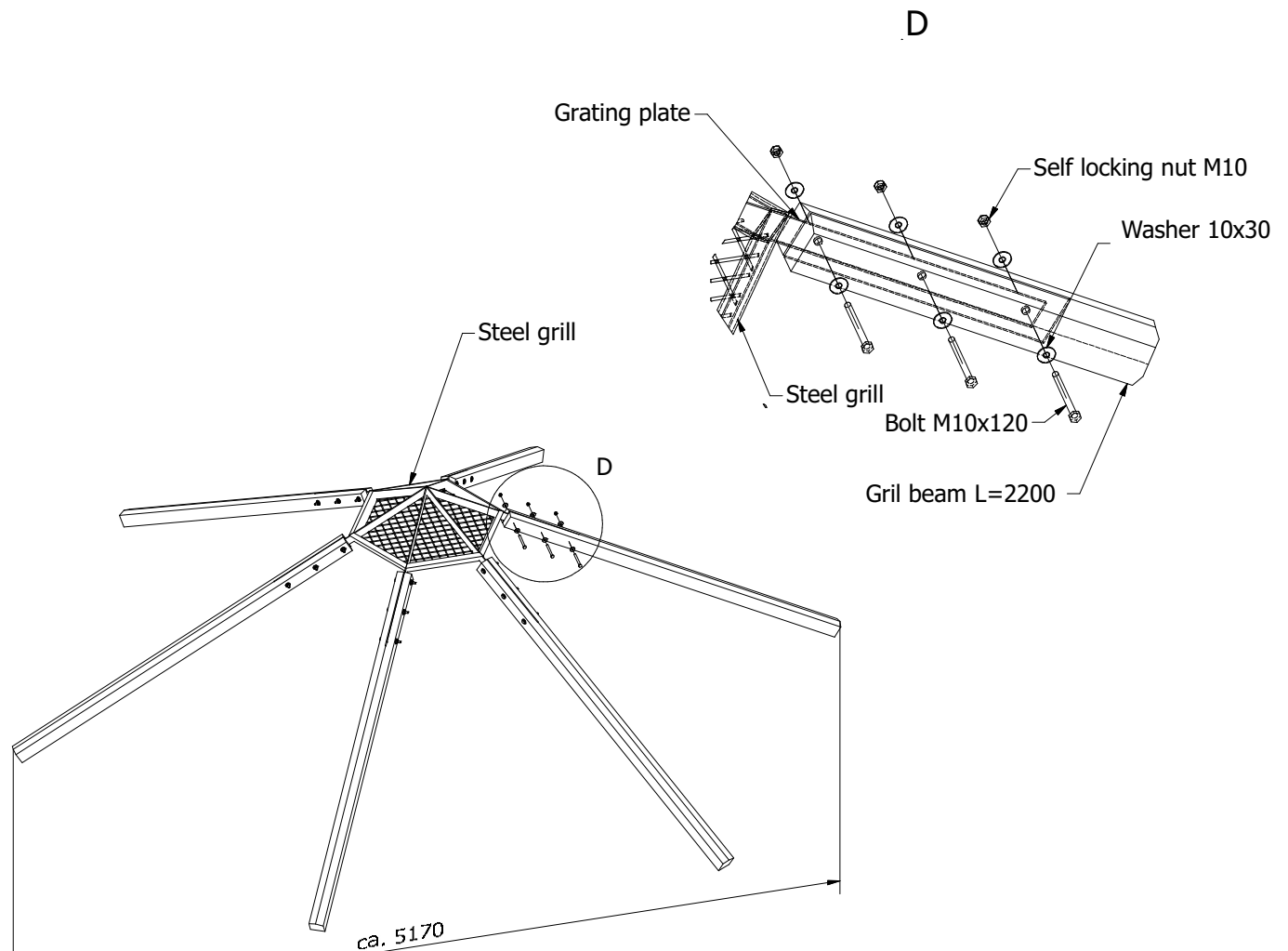
Grind the post surface under wood connector to fit it.

[mm]

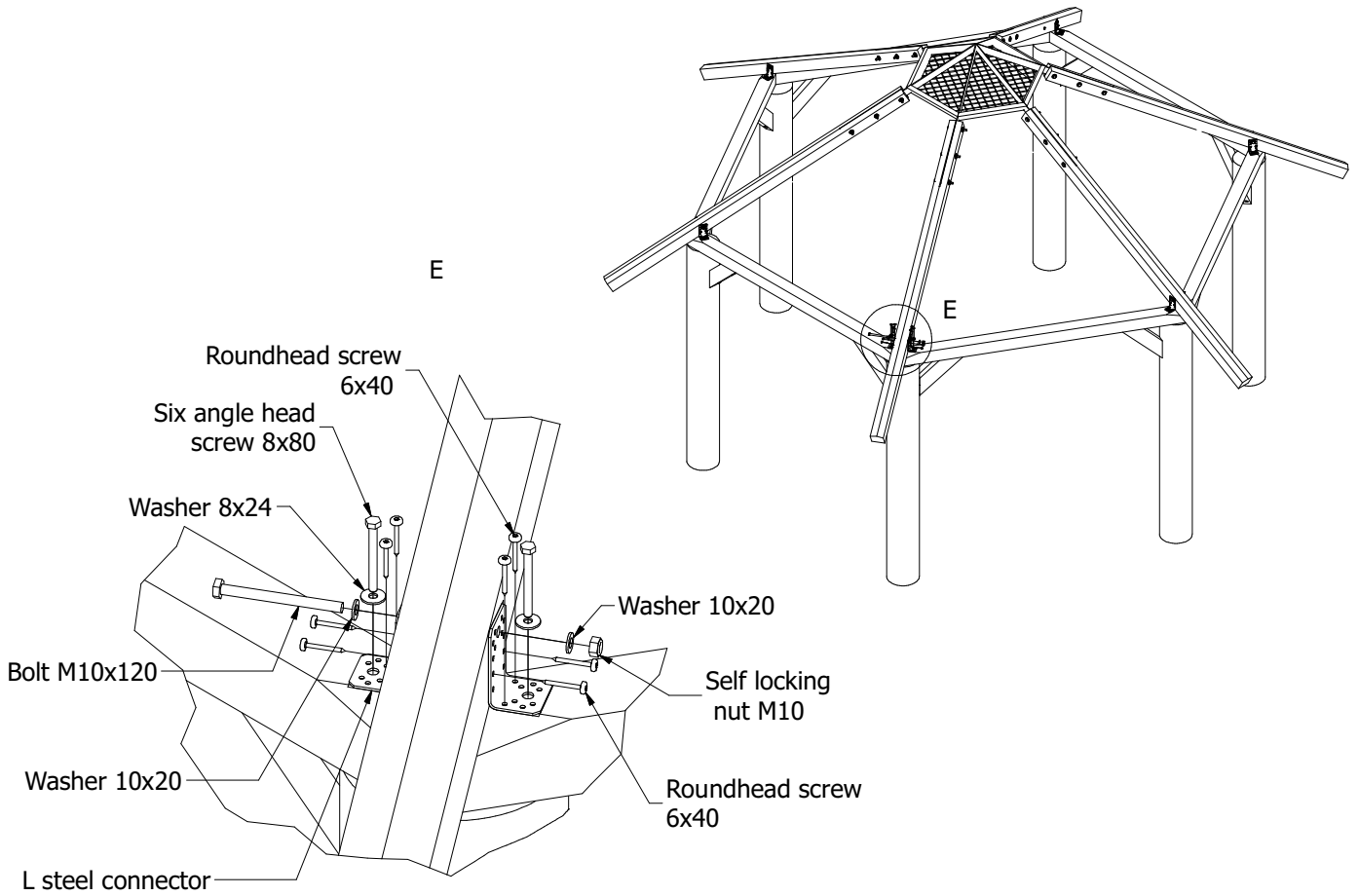
Step 3: Measure and drill holes in 6 beams L: 2200 corresponding with the holes in the grating plates of the steel grill and making sure the measurements shown below apply.



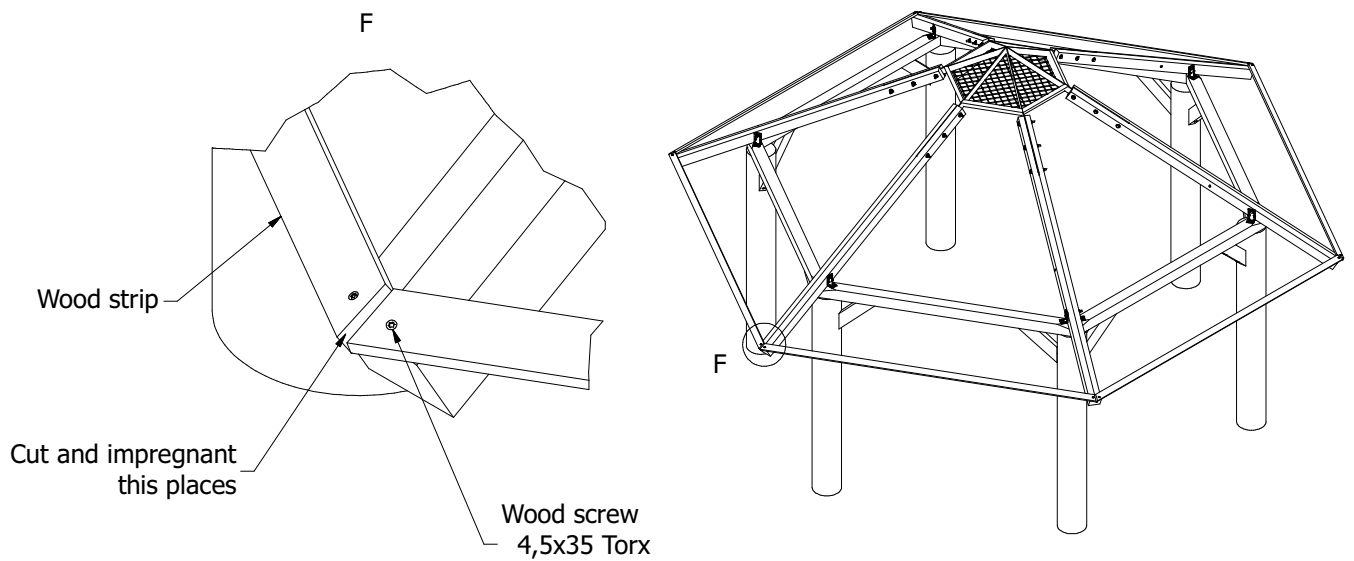
Step 4: Pre-assemble the roof on the ground (beams with steel grill): connect the beams with the grating plates using M10 bolts.



Step 5: Place the pre-assembled roof construction on the vertical posts and connect using L-shaped steel connectors following the drawing below.



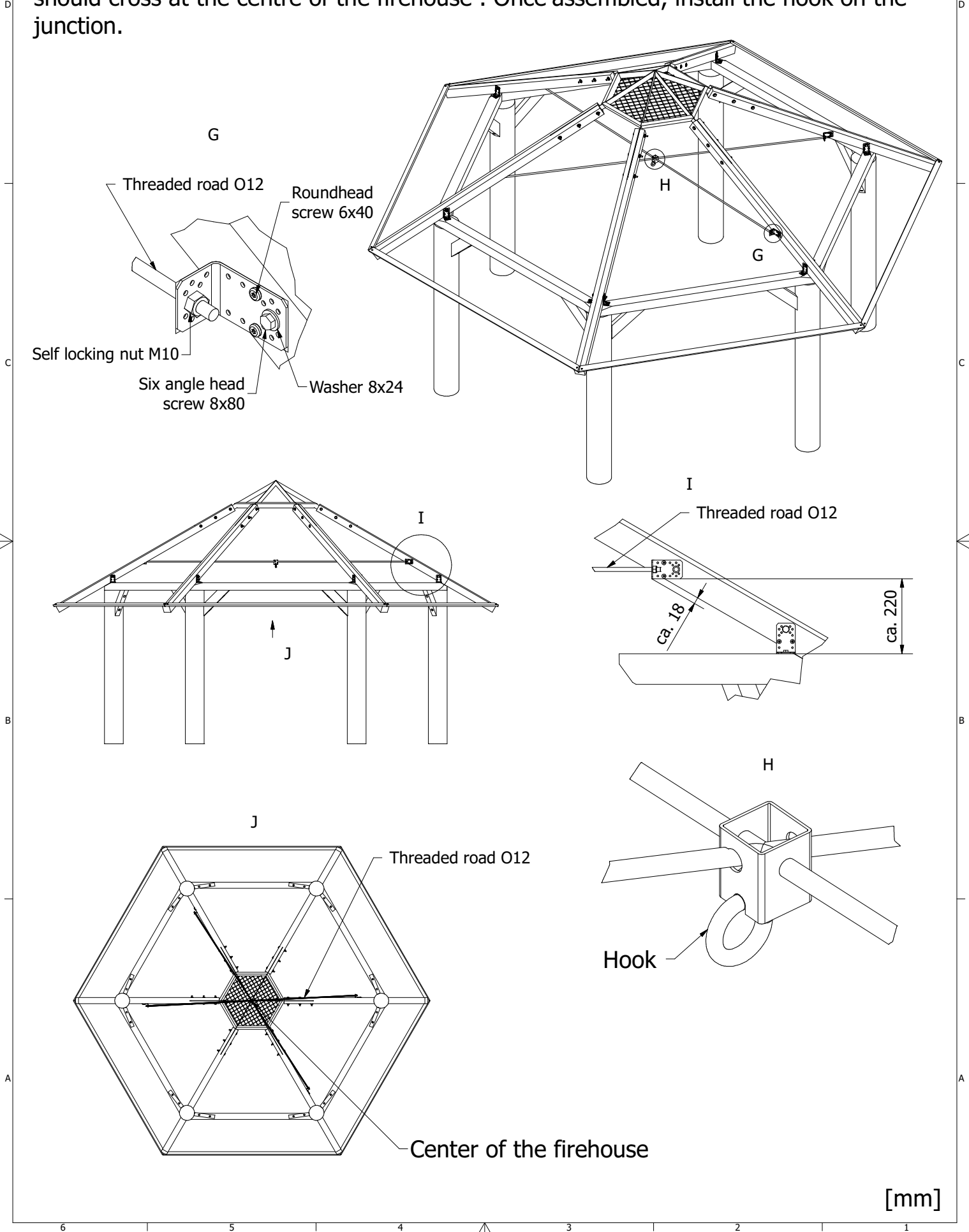
Step 6: Install wooden strips at the edge of the roof beams, cutting them to the right size when needed.



[mm]

INSTALLATION MANUAL 13072

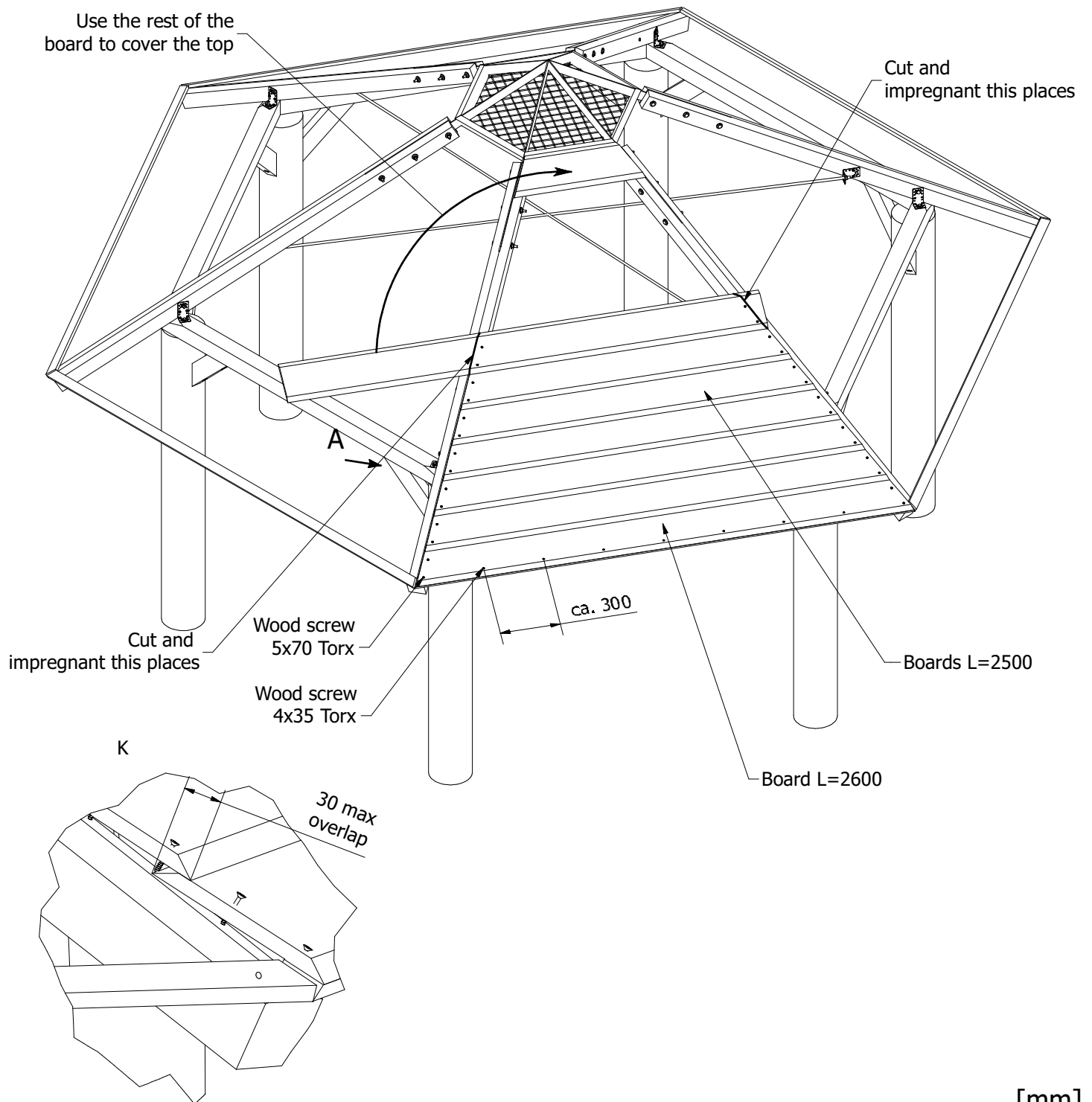
Step 7: Install two threaded rods $\phi 12$ using the L shaped connectors. The rods should cross at the centre of the firehouse . Once assembled, install the hook on the junction.



INSTALLATION MANUAL 13072

Step 8: Cover the roof with boards. Start with the longest board (2600) fixing it to the edge using 4x35 wood screws.

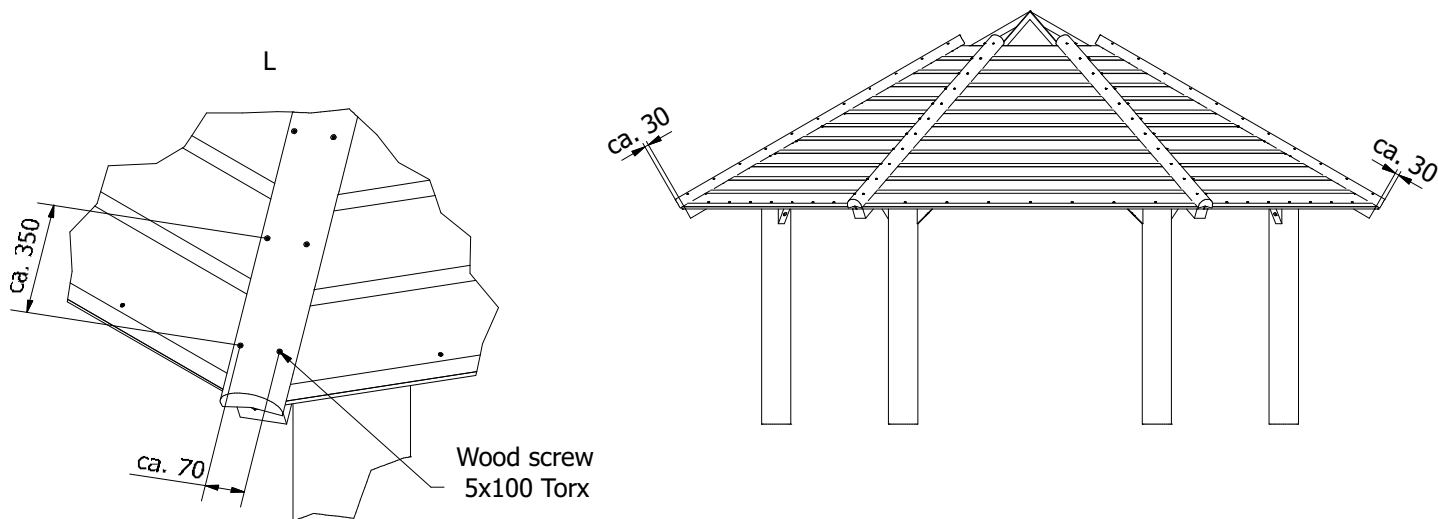
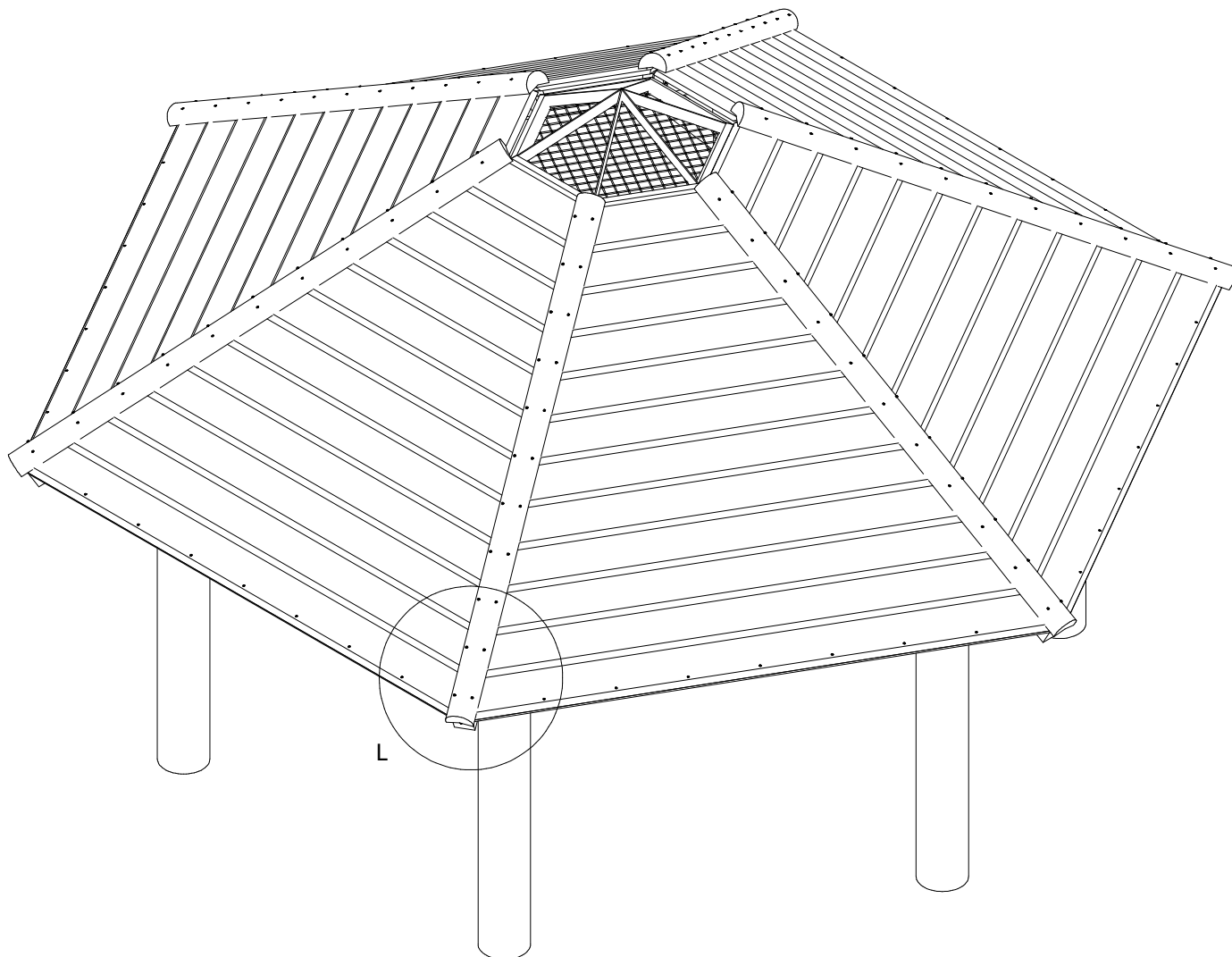
Step 9: Proceed with the other boards (2500), starting from the board already assembled and going up to the top of the roof. Each board should not overlap another more than 30. Cut each board to fit the shape of the roof. Keep the cut-off elements to cover the top of the roof. Once cut, impregnate the sides of the boards and fix them to the grill beams using min. two 5x70 wood screws and to the under-laying board with 4x35 wood screws about 300 from each other. Repeat this process for each of the roofs segment.



[mm]

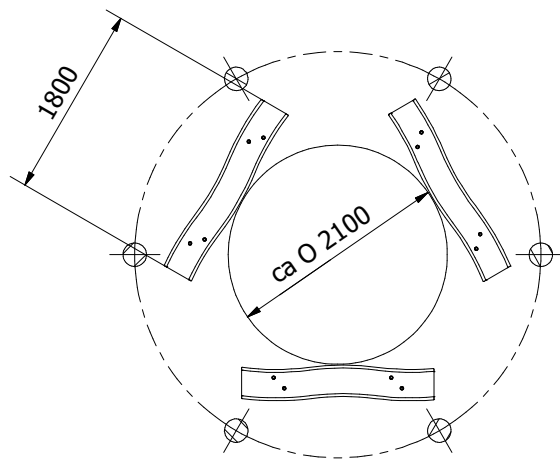
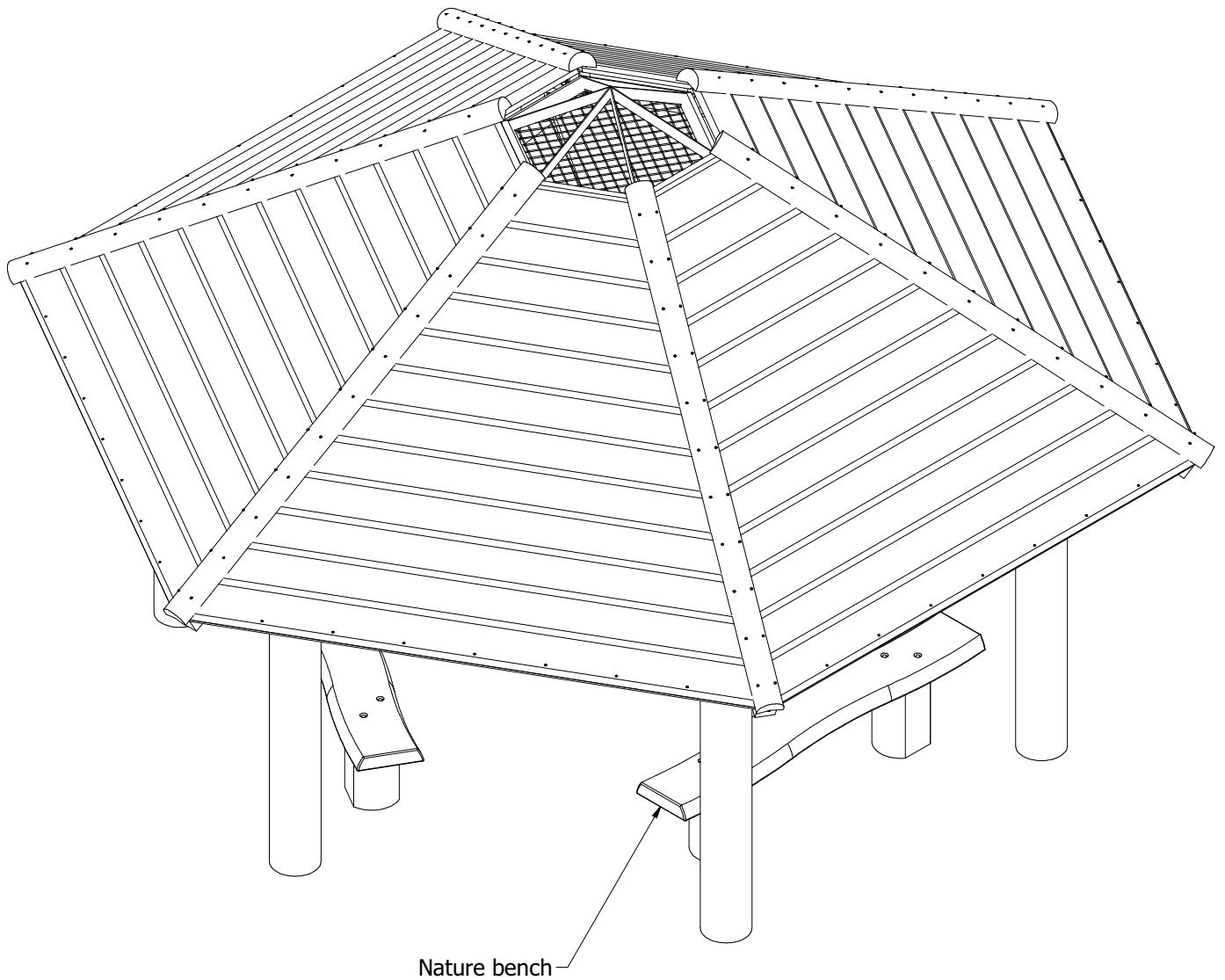
INSTALLATION MANUAL 13072

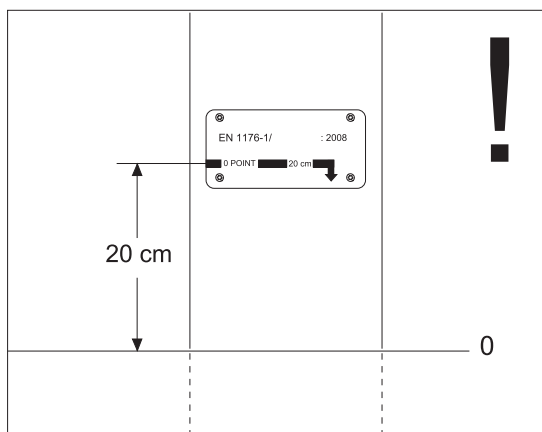
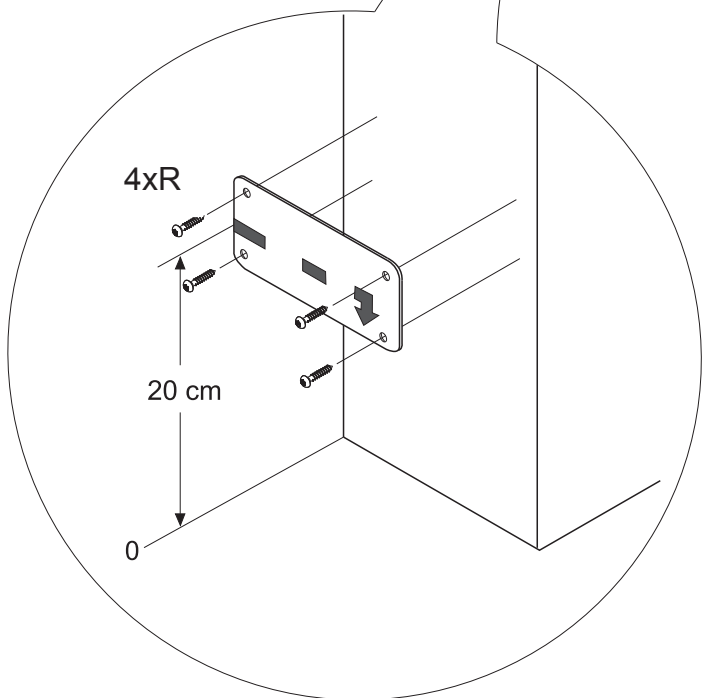
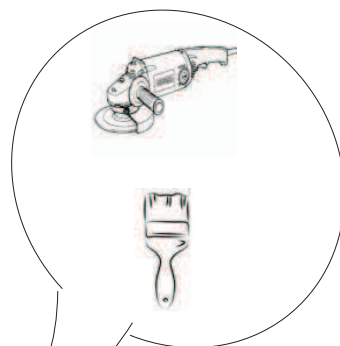
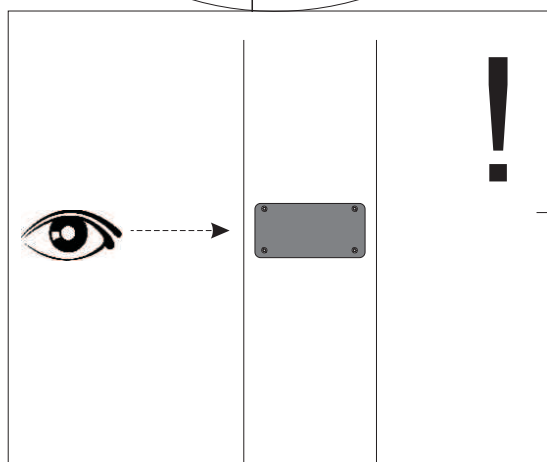
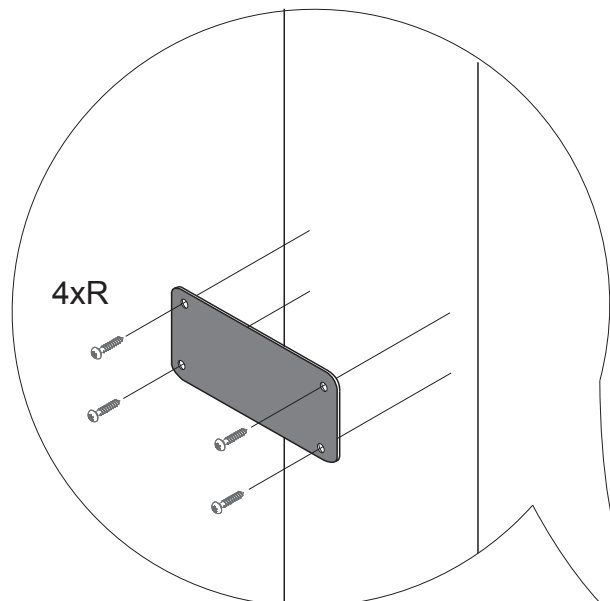
Step 10: Assemble the palisade shingles L: 2500 using wood screws 5x100 spacing them about 350 for each other. Cut the shingle to fit the size of the roof.



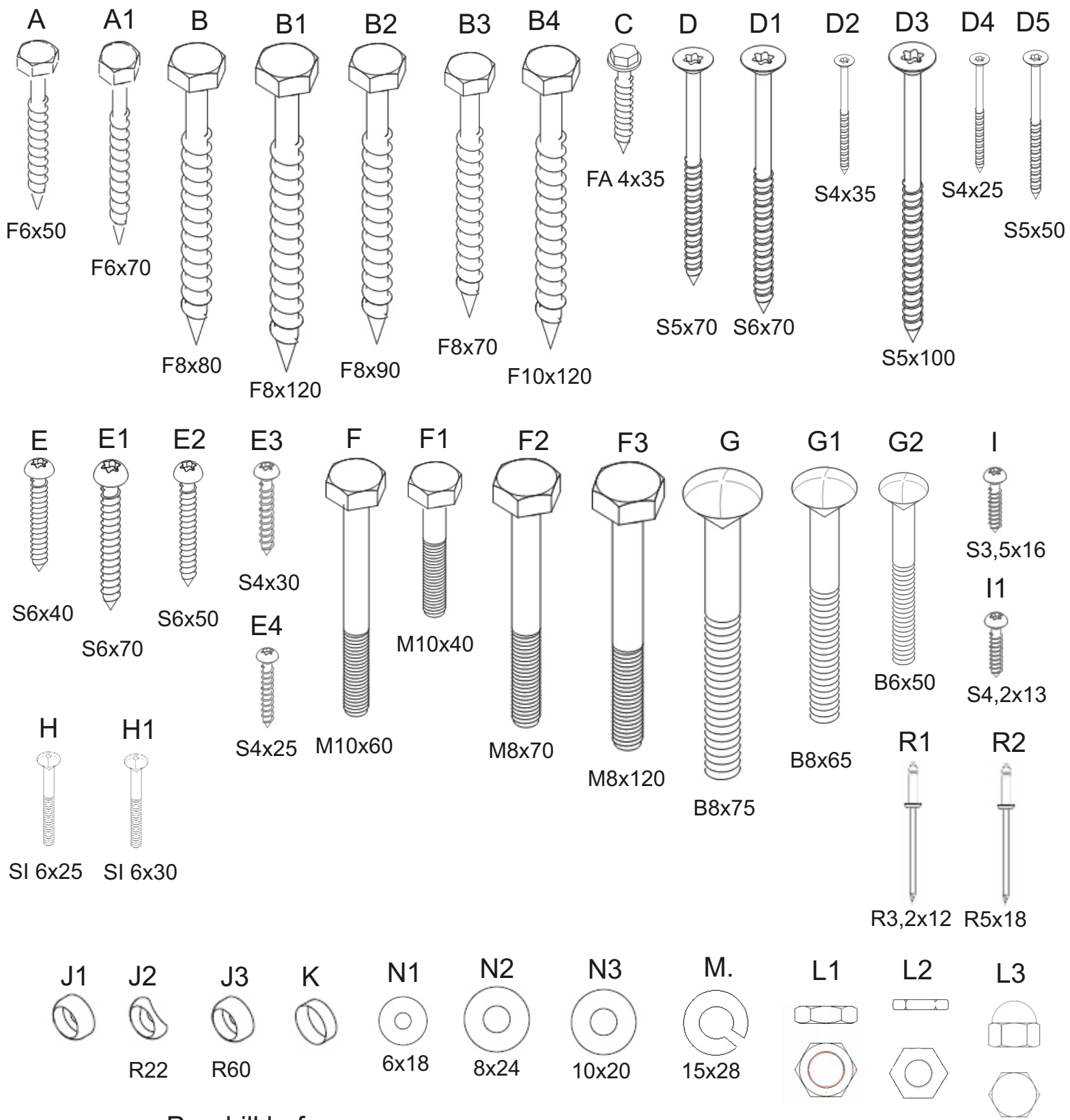
[mm]

Step 11: Place the benches under the roof, between the posts.





| | | | |
|-----------------------------|-----------------------------------|----------|------------|
| LARS LAJ[®] | | | |
| Article | Ground level plate, Product Plate | | |
| Made by | Caroline W. | | |
| Date | 28.08.2013 | Modified | 16.12.2014 |



Pre drill before screw.
 Hole in wood for screw: one size smaller than screw.
 Hole in wood for bolt: one size bigger than bolt.
 Hole in plastic: the same size as screw.



Saw if necessary.



Cut if necessary.



Impregnate surface.



Grind surface before install.